

iDS-UVC-X28 Smart Conference Camera



- Integrated design, plug and play functionality, with camera, microphone, and speaker all in one, meet the needs of video conference.
- The ultra-high definition 4K camera provides high-definition meeting images.
- AI functionalities, such as automatic framing and speaker tracking, enhance the efficiency of meetings.
- Array microphones and high-fidelity speakers deliver the ultimate audio experience.
- Support HDR, intelligently adjusting video settings in all lighting conditions, to capture the best image of everyone on camera.
- With excellent compatibility, it supports most mainstream cloud conferencing platforms.
- The automatic privacy cover meets the privacy requirements for user meeting rooms.
- Featuring built-in 8-array microphones with a 6-meter sound collection range, it meets the needs of small and medium-sized conference rooms.

▪ Specification

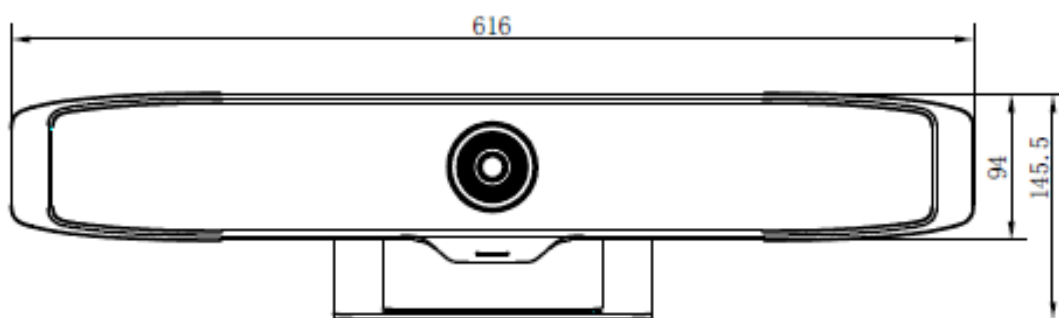
Camera	
Image Sensor	1/2.8" progressive scan CMOS
Max. Resolution	MJPEG: 4K@30 fps (USB3.0), 1080P@30 fps (USB2.0) H.264: 4K@30 fps
Shutter Time	10 us ~ 33333 us
Preset	Supports 5 preset positions
Digital Zoom	3 × digital zoom
Lens	
Focal Length & FOV	Focal Length:2.02mm Diagonal FOV : 118.8° Horizontal FOV:109.9° Vertical FOV:74.6°
Aperture	f/2.5
Microphone	
Type	360° Omni-direction
Pickup Distance	within a radius of up to 6 meters
Amount	8
SNR	≥ 60 dB
3A Algorithm	AEC, ANS, AGC
Sampling Rate	48 KHz
Speaker	
Effective Bandwidth (-10 dB)	150Hz-18kHz
Functions	
LED Indicator	White: Normally working Red: Standby
Smart Auto Frame	The camera adjust the best view angle according to the participants' number of the conference.
Smart Speaker Tracking	The camera automatically tracks and focuses on the speaker during the conference.
Image	
Image Enhancement	BLC
Privacy Mask	Electric privacy mask
White Balance	Auto white balance mode, daylight mode, natural light mode, warm light mode, sodium lamp mode, lock white balance mode
Interface	
Built-in Speaker	10W Hi-Fi Speaker
Power Output	10W
Device Interface	1 x HDMI OUT 1 x RJ45 1000BASE-T (network interface reserved) 1 × USB 3.0, type-C interface 1 × MIC USB 1 x Power interface

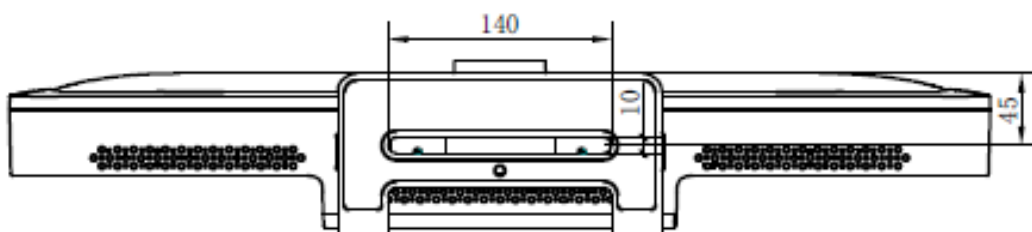
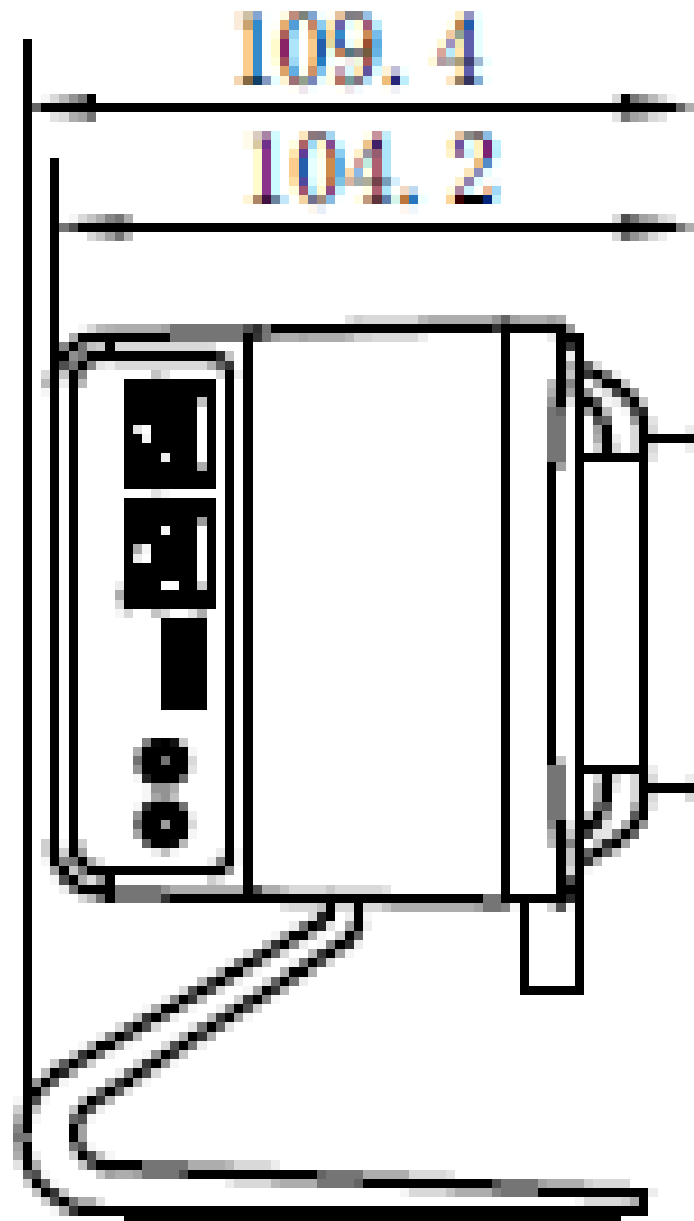
General	
Power	DC 12V±5%, MAX 12.06W
Dimension	616 × 145 × 104.23mm
Operating Condition	Operating Temperature:0 °C - 40 °C; Operating Humidity:10% - 90%
Package Dimension	727x 227 x 213mm
With Package Weight	≈5.360KG
Packing List	1 x Smart Conference Camera; 1 x Power Adapter 1 x Remote control 2 x AAA Battery 1 x 2m USB Type-C cable 1 x NFC Sticker 1 x Desk mounting bracket 1 x Screw Pack 1 x QR code paper card for User Manual × 1
Bluetooth	Support audio Bluetooth and remote control Bluetooth
Video	
Video In Resolution	4K@30fps
Video Out Resolution	4K@30fps, 1080p@60fps, 720p@60fps

▪ **Available Model**

iDS-UVC-X28

▪ **Dimension**





Headquarters

No.555 Qianmo Road, Binjiang District,
Hangzhou 310051, China
T +86-571-8807-5998
www.hikvision.com



Follow us on social media to get the latest product and solution information.

