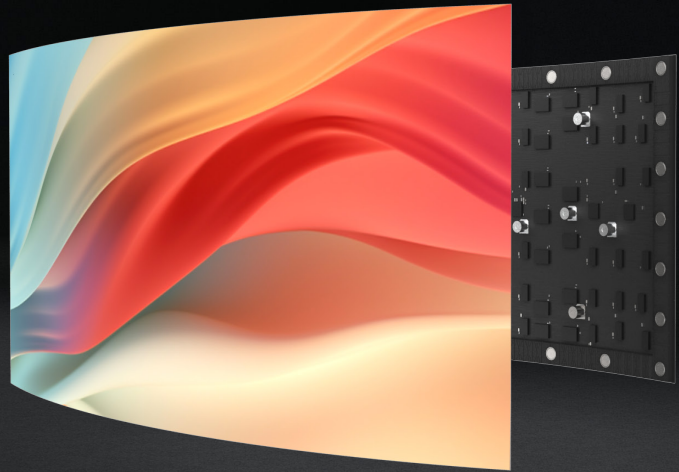


Brighten Every Moment

SOFT LED MODULE

Indoor

Outdoor



Creative splicing



Energy-saving

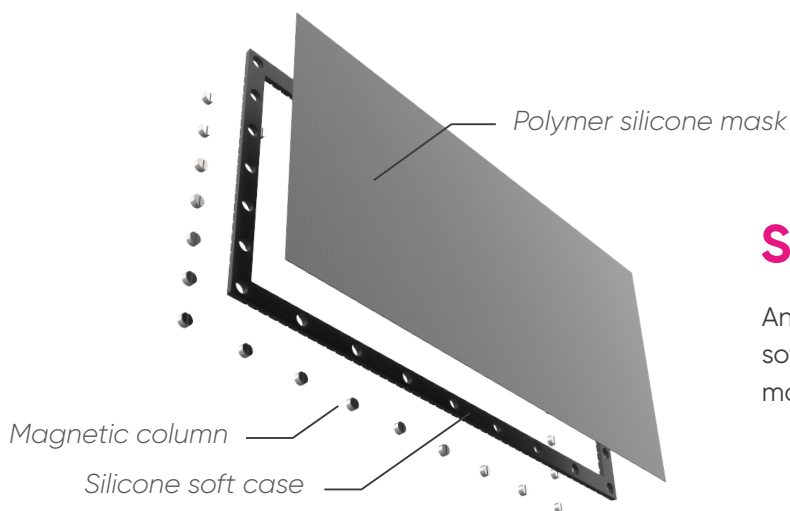
High flexibility

Enjoy creative splicing with 120-degree flexibility for both concave and convex bending.



Outward Curve

Inward Curve

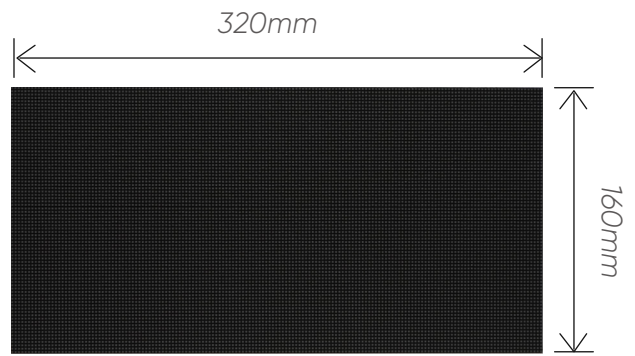


Stable Installation

An updated magnetic column improves the soft LED module's mount on the bracket, making installation more secure.

Standardized Dimensions

- Standardized 320×160 mm
- Uniform bottom shell screw holes across all models, allowing easy replacement of LED modules of different pixel pitches without changing the cabinet



Energy-Saving Design

- PWM energy-saving driver IC with built-in current adjustment, offering 64 levels of brightness control
- Supports 4.2V, 4.5V, and 5V switching power supply



Application Scenarios



Key Spec

	DS-D41Q12CA-1GS	DS-D41Q15CA-1GS	DS-D41Q18CA-1GS	DS-D41Q20CA-1GS	DS-D41Q25CA-1GS
Pixel Pitch	P1.25	P1.53	P1.86	P2.0	P2.5
Module Size	320*160mm				
Lamp Size	1010	1212	1515	1515	1515
Refresh Rate (Hz)	3840HZ				
Brightness (nits)	600nits				
Resolution	256 * 128 resolution	208 * 104 resolution	172 * 86 resolution	160 * 80 resolution	128 * 64 resolution



www.hikvision.com
support@hikvision.com

Search Hikvision

