



How to Use Remote Control of LCD Large Screen

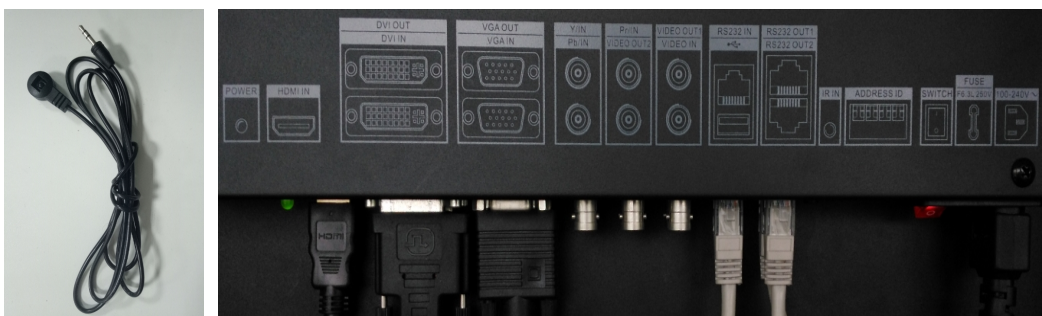
HIKVISION TECHNICAL SUPPORT TEAM

2017-6-3

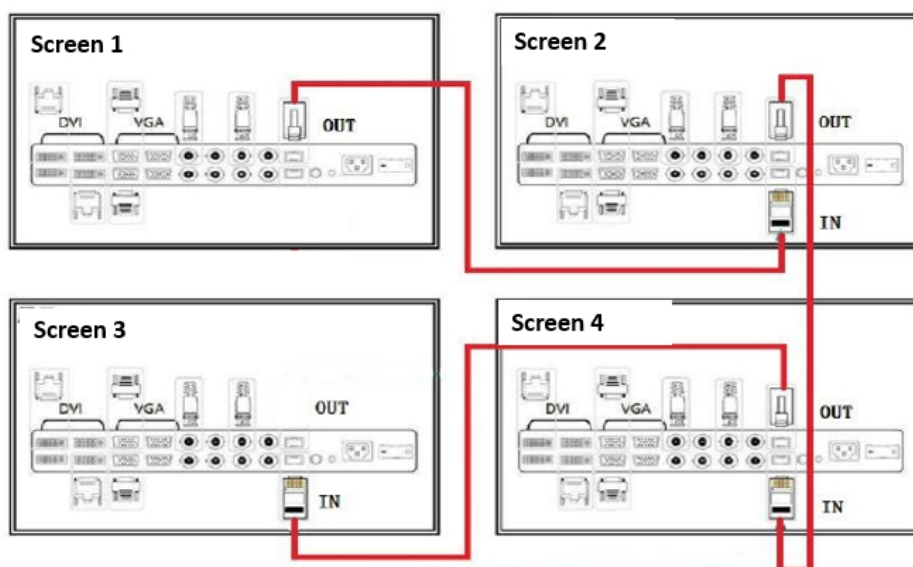
How to Use Remote Control of LCD Large Screen

This document is intended to introduce the method of how to use remote control to select screen ID of LCD large screen, change Input Source, do TEST, and configure with MENU. Connection of control cables and infrared probe will be introduced first before referring to the detailed operations

1. Connect control cables and infrared probe on the large screen, the rare panel of LCD display unit is shown as below



Control cables are for loop output and splicing display, it transmit control signals between screens, standard cables are network cable with RJ45 interfaces, connect the RS232 OUT1 of x with the RS232 IN of x+1, as the picture below shows



Connect the infrared probe to IR IN of Screen 1 (the source of control signals), and put the other side on the front of LCD display unit, making sure the infrared signals from remote control can be detected

2. ID selection





Press **IDSEL** to call the ID number of large screens (the original ID number of LCD unit is 0101, when delivering at project site, different ID numbers need to be configured, the configuration can be realized with MENU)



Press the numbers accordingly to select certain screen, e.g. **press 0101 to select the screen**



with ID 0101, once selected successfully, the ID number of that screen will turn red



You can also press **IDALL** to select all the screens

3. TEST button

Once screen(s) are selected, press TSET, and the screen(s) will change different color, this function is very useful and frequently used when inspecting a display unit, to find out whether there are faulty screens. Press the TEST button again to quit the TEST mode

4. Change input source

Also under the selected status, press **Source** to change different input sources, press



and



to select different sources, press OK to confirm

5. MENU

Press **Menu** to call the menu of screen to see more information of the LCD screen, or do some configurations



First Choice for Security Professionals Hikvision Technical Support

