

## iDS-TCM403-BI (PE)

### 4 MP High Performance IR ANPR Bullet Camera



- High quality imaging with 4 MP resolution (2/3" CMOS)
- Clear imaging against strong back light due to 140 dB WDR technology
- Built-in ANPR engine, equipped with AI algorithm
- Efficient H.265+ compression technology to save bandwidth and storage
- Water and dust resistant (IP67) and vandal proof (IK10)

## • Specification

Camera	
Image Sensor	2/3" progressive scan CMOS
Max. Resolution	2688 × 1520
Min. Illumination	Color: 0.0005 Lux @ (F1.2, AGC ON), B/W: 0.0001 Lux @ (F1.2, AGC ON), 0 Lux with IR
Shutter Time	1/50 s to 1/100,000 s. Auto, manual
Day & Night	IR cut filter. Auto, manual polarizing filter
Lens	
Lens Type	Varifocal lens, motorized lens, 2.8 to 12 mm, 8 to 32 and 10 to 50 mm optional
Focal Length & FOV	2.8-12 mm: Horizontal: 113.5° to 39°, vertical: 58.4° to 22.7°, diagonal: 141.3° to 44.3°, 8-32 mm: Horizontal: 41.9° to 15.1°, vertical: 22.9° to 8.64°, diagonal: 48.8° to 17.3°, 10-50 mm: Horizontal: 32.2° to 7.8°, vertical: 18.1° to 4.4°, diagonal: 37.1° to 8.95°
Focus	Auto
Iris Type	DC-IRIS
Aperture	2.8-12 mm: F1.38, 8-32 mm: F1.5, 10-50 mm: F1.5
Illuminator	
Built-in Supplement Light Type	IR light
Supplement Light	3 illuminators
Built-in Supplement Light Range	Up to 50 m
IR Wavelength	850 nm
Video	
Main Stream	50 Hz: 25 fps (2688 × 1520, 2048 × 1536, 1920 × 1080, 1280 × 760, 1280 × 720, 704 × 576, 352 × 288) 60 Hz: 30 fps (2688 × 1520, 2048 × 1536, 1920 × 1080, 1280 × 760, 1280 × 720, 704 × 576, 352 × 288)
Sub-Stream	50 Hz: 25 fps (1920 × 1080, 1280 × 760, 704 × 576, 352 × 288) 60 Hz: 30 fps (1920 × 1080, 1280 × 760, 704 × 576, 352 × 288)
Third Stream	50 Hz: 25 fps (1280 × 760, 704 × 576, 352 × 288) 60 Hz: 30 fps (1280 × 760, 704 × 576, 352 × 288)
Video Compression	H.264 and H.265 encoding Main stream: H.265/H.264/MJPEG Sub-stream: H.265/H.264/MJPEG
Video Bit Rate	32 Kbps to 16 Mbps
Bit Rate Control	CBR/VBR
H.264 Type	Baseline profile/Main profile/High profile
H.265 Type	Main profile
Audio	
Audio Compression	G.711/G.722.1
Audio Bit Rate	8 Kbps (G.711)/16 Kbps (G.722.1)
Network	
Protocols	TCP/IP, ICMP, HTTP, HTTPS, FTP, SFTP, DHCP, DNS, DDNS, RTP, RTSP, RTCP, NTP, SMTP, SNMP, IGMP, QoS, IPv4/IPv6, UDP, SSL/TLS, ISUP, ARP, 802.1X
Simultaneous Live View	Up to 6 channels
API	ISAPI, SDK, ISUP, ONVIF (PROFILE S, PROFILE G, PROFILE T, PROFILE M)

User/Host	Up to 32 users 3 user levels: administrator, operator, and user
Security	Password protection, Complicated password, HTTPS encryption, 802.1X authentication (EAP-PEAP, EAP-LEAP, EAP-MD5), Watermark, IP address filter, Basic and digest authentication for HTTP/HTTPS, WSSE and digest authentication for ONVIF, RTP/RTSP over HTTPS, Control timeout settings, Security audit log, TLS 1.2, 1.3, Host authentication (MAC address)
Network Storage	Micro SD/TF card (512 GB), local storage and CVR, NVR, ANPR
Client	Hik-Central Master, Hik-Central Pro
Web Browser	Chrome V61+, IE9 to IE11, Firefox V41+, Edge
<b>Wireless (Mobile Communication)</b>	
Frequency	/G model: LTE FDD: Band 1, 2, 3, 4, 5, 7, 8, 12, 17, 28, 66 LTE TDD: Band 38, 40 WCDMA/HSPA+: Band 1, 2, 3, 4, 5, 8 GSM/GPRS/EDGE: 850/900/1800/1900 MHz
Standard	/G model: LTE FDD/LTE TDD/WCDMA/HSPA+/GSM/GPRS/EDGE
SIM Card Type	/G model: Micro SIM
<b>Image</b>	
Image Settings	Saturation, Brightness, Contrast, Gain, Sharpness, White balance, AGC, Adjustable by client software or web browser.
Day/Night Switch	Auto/Scheduled/Manual
Wide Dynamic Range (WDR)	140 dB
Image Enhancement	BLC, 3D/2D DNR
<b>Supplement Detection (Satellite Positioning)</b>	
Satellite Positioning	/G model: GPS
<b>Interface</b>	
Ethernet Interface	Up to 2 × 10 M/100 M/1000 is extendable. 1 RJ-45 10 M/100 M/1000 M Ethernet interface by default
On-Board Storage	Built-in memory card slot, supporting microSD/SDHC/SDXC card, up to 512GB
Audio I/O	1 input (line in), cc, 1 output (line out), two-core terminal block
Alarm I/O	2 input interfaces (1 input interface, 1 relay), 2 output interfaces (1 output interface, 1 relay)
RS-485	1 RS-485 interface
RS-232	1 RS-232 interface
Wiegand	1 Wiegand (Card ID 26 bit, SHA-1 26bit, Hik 34bit)
<b>Event</b>	
Basic Event	HDD/Storage/Card Error, Network Disconnected, IP Address Conflicted, Vehicle Detector Exception, Traffic Light Detector Exception, alarm I/O triggering, network disconnected, IP address conflict, illegal login, blacklist
<b>Road Traffic and Vehicle Detection</b>	
Coverage	Up to 3 lanes
Trigger Mode	External I/O trigger/Radar trigger/Video trigger
Smart Function	Traffic flow detection: vehicle type, lane flow, lane speed, space headway, time headway, lane time occupancy rate, lane space occupancy rate, queuing length, and traffic status Incident detection: congestion, stopped vehicle, lane change, wrong-way driving, speeding, low-speed driving

LPR Countries/Regions	<p>Middle East: The United Arab Emirates (Abu Dhabi, Ajman, Dubai, Fujairah, Ras Al Khaimah, Sharjah and Umm Al Quwain), Qatar, Iraq, Egypt, Jordan, Kuwait, Saudi Arabia, Pakistan, Oman, Lebanon, Bahrain</p> <p>Africa: Nigeria, Kenya, Ivory Coast, South Africa, Tanzania, Mauritius, Morocco, Tunisia, Sierra Leone, Zambia, Ghana, Zimbabwe, Uganda, Angola, Ethiopia, Senegal, Algeria,</p> <p>Asia-Pacific: Australia, New Zealand, Indonesia, Malaysia, Singapore, South Korea, Thailand, Vietnam, the Philippines, Hong Kong, Macao, Taiwan, Myanmar, India, Mongolia, Cambodia, Laos, Bangladesh, Nepal, Sri Lanka</p> <p>America: Canada, Argentina, Chile, Paraguay, Uruguay, El Salvador, Bolivia, Colombia, Brazil, Ecuador, Peru, Mexico, Panama, Costa Rica, Trinidad and Tobago, the Dominican Republic, Guatemala</p> <p>Europe: Turkey, Croatia, Slovakia, Czech Republic, Bulgaria, the Republic of North Macedonia, Hungary, Greece, Poland, France, Netherlands, Switzerland, Spain, the UK, Ireland, Germany, Italy, Austria, Israel, Palestinian, Belgium, Luxembourg, Albania, Kosovo, Serbia, Romania, Montenegro, Denmark, Finland, Sweden, Slovenia, Portugal, Malta, Cyprus, Iceland, Liechtenstein, Bosnia and Herzegovina</p> <p>Russian-Speaking Regions: Azerbaijan, Belarus, Kazakhstan, Lithuania, Georgia, Estonia, Latvia, Russia, Ukraine, Moldova, Uzbekistan, Kyrgyzstan, Armenia, Turkmenistan, Tajikistan</p>
Accuracy (Under recommended installation and lighting conditions)	<p>Capture rate &gt; 99%,</p> <p>Vehicle moving direction recognition accuracy &gt; 98.5%,</p> <p>LPR accuracy &gt; 98%,</p> <p>Mistaken capture rate &lt; 2%</p>
No License Plate Detection	Supported
Motorcycle LPR	Supported
Vehicle Type	Car, Van, Bus, Truck, Light Truck, SUV(MPV), Pickup, Motorcycle, Tricycle
Vehicle Color	Red, yellow, green, blue, pink, purple, cyan, brown, white, grey, black Recognizable at daytime only.
Vehicle Manufacturer	84 manufacturers: Hyundai, Toyota, KIA, Honda, Volkswagen, Benz, Nissan, Ford, Isuzu, BMW, Chevrolet, Mitsubishi, Renault, Opel, Suzuki, Skoda, Daewoo, Audi, Mazda, GAC HINO, Peugeot, SsangYong, Citroen, Fiat, Scania, MAN, Volvo, Lexus, Seat, Land Rover, Daihatsu, Dongwo, Subaru, Iveco, MINI, JEEP, Porsche, Chery, Dodge, Chrysler, Acura, Alfa Romeo, Great Wall, Infiniti, Smart, Saic Maxus, JAC, Jaguar, GMC, Lincoln, JMC, SAAB, FAW, Yutong, Guangzhou Yunbao, Joylong, Geely, Cadillac, JBC, An'kai, Haima, Foton, King Long, Dongfeng, Geely-Emgrand, Perodua, UD, BYD, Renault Samsung, Proton, HICOM, Malaysia_Unknown 1, Hyundai-Rohens, SsangYong-Old Version, Equus-Old Version, CNHTC, Rolls-Royce, Beiben Truck, Haval, Hino, Kia-Borrego, Chang'an, Alfa, FORO
Metadata	License Plate, Vehicle Type, Vehicle Color, License Plate Color Recognition, Vehicle Manufacturer
Capture Speed Range	5 to 300 km/h
Blocklist and Allowlist	Max. 50000 records
<b>General</b>	
Operating System	Linux
Power	100 VAC to 240 VAC (Power Supply) DC 12 V to 24 V, 1.25 A, max. 15 W, two-core terminal block. PoE: 802.3at, Type 2, Class 4, max. 15 W
Material	Aluminum alloy
Dimension	428.5 mm × 120 mm × 132.8 mm (16.9" × 4.72" × 5.2") (L × W × H)

Package Dimension	452 mm × 398 mm × 198 mm (17.8" × 15.67" × 7.8") (L × W × H)
Weight	Approx. 3 kg (6.61 lb.)
With Package Weight	Approx. 5.19 kg (11.44 lb.)
Operating Condition	-30 °C to 70 °C (-22 °F to 158 °F). Humidity 95% or less (non-condensing)
Storage Condition	-30 °C to 70 °C (-22 °F to 158 °F). Humidity 95% or less (non-condensing)
General Function	One-key reset, three streams, heartbeat, password protection, watermark
Language	8 languages: English, Thai, Croatian, Korean, Russian, Traditional Chinese, Ukrainian, Spanish
<b>Approval</b>	
RF	EN 301 489-1 V2.2.3, EN 301 489-3 V2.3.2, EN 301 489-19 V2.2.1, EN 301 489-52 V1.2.1, EN 301 511 V12.5.1, EN 301 908-2 V13.1.1, EN 301 908-1 V15.2.1, EN 301 908-13 V13.2.1, EN 303 413 V1.2.1, EN IEC 62311:2020
EMC	CE-EMC: EN 55032: 2015/A11:2020+A1:2020, EN IEC61000-3-2: 2019/A1:2021, EN 61000-3-3: 2013+A1:2019/A2:2021, EN 50130-4: 2011 +A1: 2014 FCC-SDoC
Safety	CB: IEC 62368-1: 2014+A11, CB: IEC 62368-1: 2018+A11, CE-LVD: EN 62368-1: 2014/A11: 2017
Environment	CE-RoHS: 2011/65/EU, WEEE: 2012/19/EU, Reach: Regulation (EC) No 1907/2006
Protection	IK10: IEC 62262:2002, IP67: IEC 60529-2013
Anti-Corrosion Protection	-Y: NEMA 4X (NEMA 250-2018)

## ▪ Typical Application

Hikvision products are classified into three levels according to their anti-corrosion performance. Refer to the following description to choose for your using environment.

-Y model: This model has MODERATE PROTECTION.

Without -Y model: This model has NO SPECIFIC PROTECTION.

Level	Description
Top-level protection	Hikvision products at this level are equipped for use in areas where professional anti-corrosion protection is a must. Typical application scenarios include coastlines, docks, chemical plants, and more.
Moderate protection	Hikvision products at this level are equipped for use in areas with moderate anti-corrosion demands. Typical application scenarios include coastal areas about 2 kilometers (1.24 miles) away from coastlines, as well as areas affected by acid rain.
No specific protection	Hikvision products at this level are equipped for use in areas where no specific anti-corrosion protection is needed.

## ▪ Available Model

iDS-TCM403-BI(G)/G/POE/0832

iDS-TCM403-BI(G)/Y/G/POE/0832

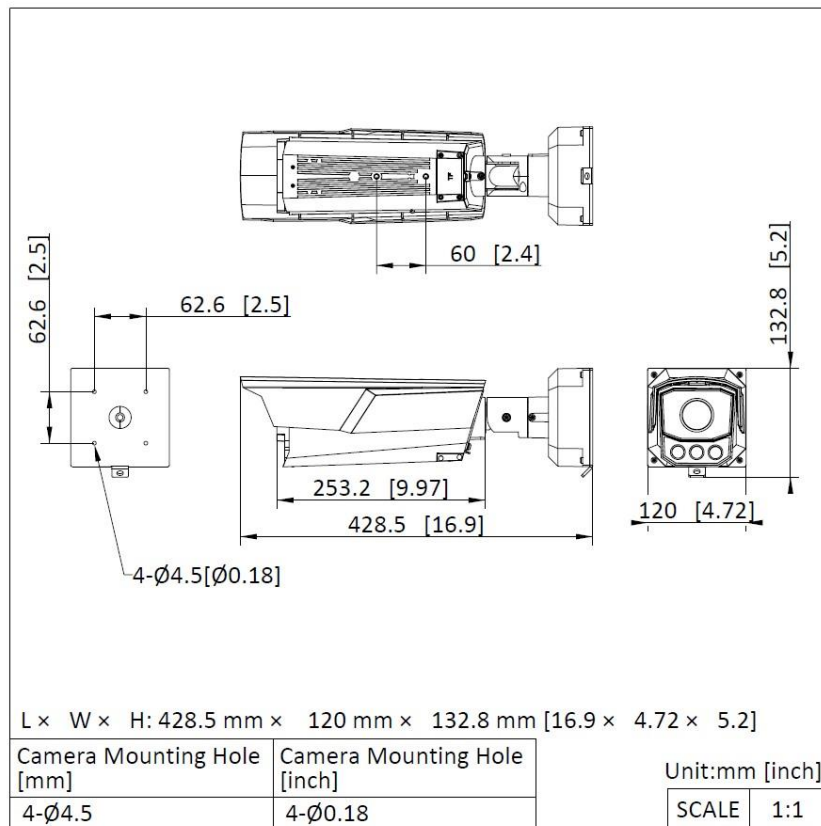
iDS-TCM403-BI(G)/POE/0832

iDS-TCM403-BI(G)/POE/2812

iDS-TCM403-BI(G)/Y/POE/0832

iDS-TCM403-BI(G)/POE/1050

▪ **Dimension**



▪ **Accessory**

▪ **Optional**

DS-1275ZJ-BJH/600 mm Hoop & Bracket	DS-1275ZJ-BJH/127 mm Hoop & Bracket	DS-1701ZJ/BJH Hoop & Bracket	DS-1232ZJ-T/BJH Cardan Joint	DS-1278ZJ-BJH Hoop & Bracket

**Headquarters**

No.555 Qianmo Road, Binjiang District,  
Hangzhou 310051, China  
T +86-571-8807-5998  
www.hikvision.com



Follow us on social media to get the latest product and solution information.

