

## DS-TL2000A-L1(PAK) Supplement Light



DS-TL2000A-L1(PAK) is a supplement light with high beam LED light source and patented design of the lamp cooling structure and a constant current drive control. The products can be widely used in electronic police, security surveillance, speed detection, toll stations, entrance & exit control and road monitoring system. Key features including:

- Adopt aluminum alloy light body, fin-type radiator, and high light transmission with tempering glass.
- High beam LED chips with long lifespan, good stability and high luminous efficiency.
- Professional optical design, light uniformity and target spot distinct.
- Adopt advanced constant current drive technology, which make the current control accurate and stable, enhance the product reliability and reduce the light attenuation effectively.
- Support camera false triggering protection, automatic protection initiation at the abnormal triggering signal and automatic recovery.
- The novelty design of the light, such as small size, light weight and high adaptability, make it quite easy for installation and adjustment.
- The IP66 design make it waterproof and dustproof unfailingly
- Green environmental protection without harmful metal such as mercury and lead.
- Support Multiple Trigger mode, Default Mode / Time Schedule Mode / Environment Brightness Mode / License Plate Brightness Mode

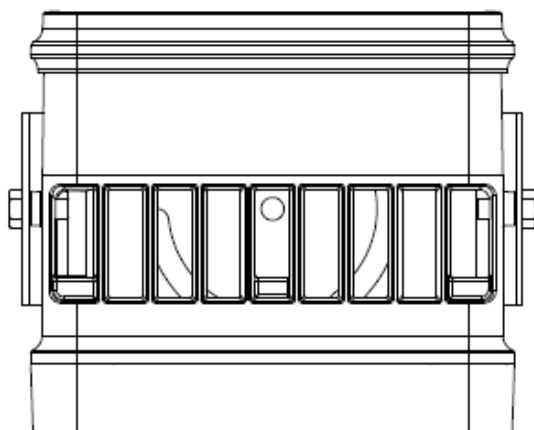
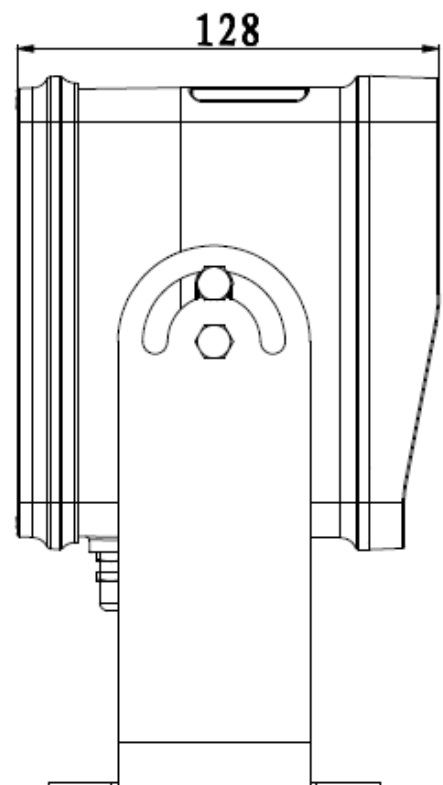
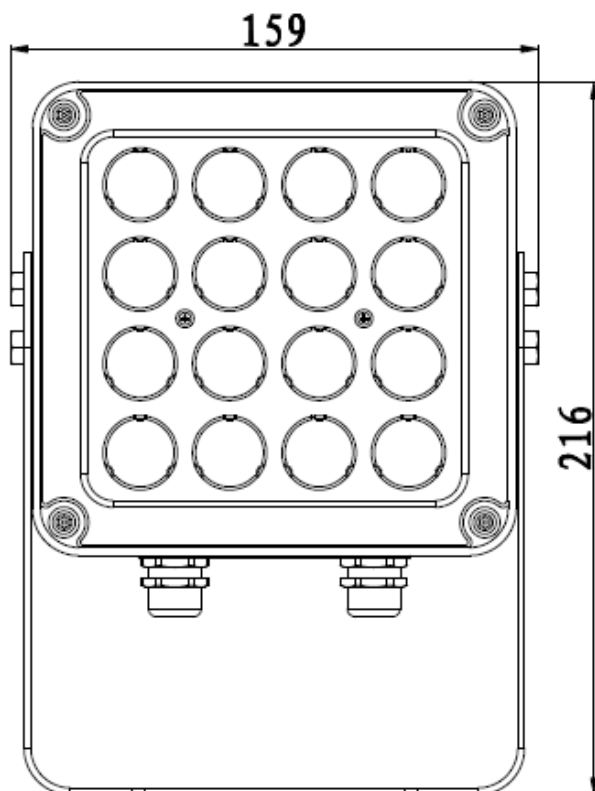
## Specification

<b>Supplement Light</b>	
Light Type	High-power white light LED
LED Lamp Beads	16
LED Light Min. Illumination	300 Lux
Color Temperature	2500K to 3500K
Angle of Light	10°
Coverage	Single lane
Effective Distance	16-25 m
Trigger Manner	TTL level (switch trigger optional)
Trigger Level	4 to 6 V (High level trigger)
Trigger Frequency	15 to 250 Hz
Trigger Duty Ratio	1% to 39% (Enter the protection state at Duty Ratio ≥ 40%)
Trigger I/O Output Mode	Support Flash Light Mode / Strobe Light Mode
Trigger Light Mode	Support Default Mode / Time Schedule Mode / Environment Brightness Mode / License Plate Brightness Mode
Response Time	≤ 20 us
Day and Night Function	Support ambient brightness detection, and automatic start-up at low illumination (optional)
RS-485	1-ch, supporting PC or camera connection (optional)
Synchronous Interface	1-ch flicker trigger input, 1-ch capture trigger input, and 1-ch synchronous flicker output (optional)
Parameter Configuration	Supports internal parameter settings, such as turn-on threshold of day and night function, flash, and ultra-high frequency flash delay setting.
Service Life	≥ 50000 H
Housing Material	Die-cast aluminum
Power Supply	220 VAC ± 20%, 47 to 63 Hz; 110 VAC ± 20%, 47 to 63 Hz
Consumption	Max. 36 W (Determined by control model)
Operating Temperature	-40 °C to 70 °C (-40 °F to 158 °F)
Operating Humidity	10% to 90%, no condensation
Weather Proof Rating	IP66
Dimension (W × H × D)	128 × 216 × 159 mm (5.0 × 8.5 × 6.3 inch)
Mounting Model	Support front-mounted installation (bracket rotation angle: -90° to 90°)
Weight	2.72 kg (6.00 lb)

### Available Model

DS-TL2000A-L1(PAK)

## Dimension



Unit: mm

### Headquarters

No.555 Qianmo Road, Binjiang District,  
Hangzhou 310051, China  
T +86-571-8907-5998  
www.hikvision.com

Follow us on social media to get the latest product and solution information.

