

## **DS-D41Q15CA-1PHT/UHK**

**Indoor, 1.53 mm, 320 mm × 160 mm, 3840 Hz**



- Supports seamless image stitching in any direction, size and shape and displays stitched images uniformly and consistently without black lines
- Uses the ultra-high refresh rate to display delicate and smooth video images
- Uses the broadcast grayscale processing to show more image details
- High brightness and high contrast

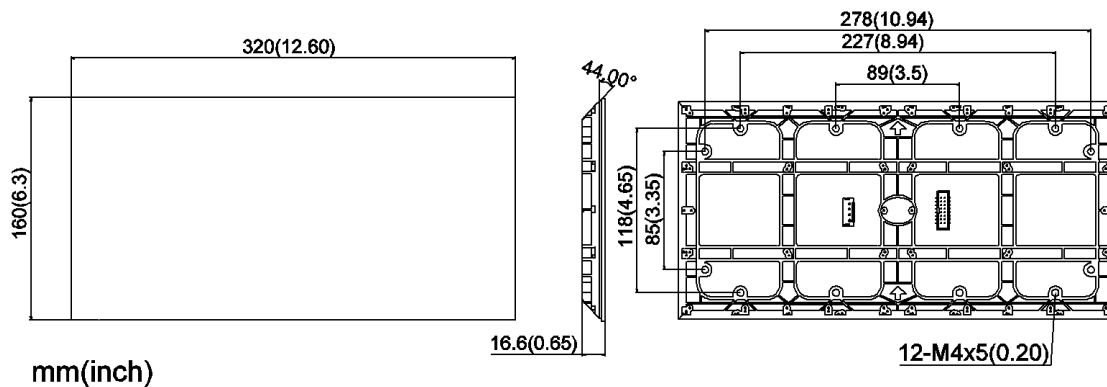
## ▪ Specification

Product Model	
Product Model	DS-D41Q15CA-1PHT/UHK
Module	
Pixel Configuration	SMD Triad LED
Pixel Pitch	1.538 mm
Lamp Bead Dimensions	1212
Dimension (W × H × D)	320 mm × 160 mm × 16.6 mm (12.6" × 6.3" × 0.65")
Resolution	208 × 104
Pixel Density	422500
Signal Source Interface	HUB320
Display	
White Balance Brightness	550 cd/m <sup>2</sup>
Color Temperature	3000 K to 10000K adjustable
Viewing Angle	160° (H)/160° (V)
Brightness Uniformity	≥ 97%
Color Uniformity	≤ ± 0.003Cx, Cy
Contrast Ratio	4000:1
Frequency	60 Hz
Refresh Rate	3840 Hz
Processing Performance	
Scanning Amount	52
Color Processor	12-14 bit
Power	
Average Consumption	≤ 17.5 W/m <sup>2</sup>
Input Voltage	DC: 4.5 V to 5 V
Working Environment	
Working Temperature	-10 °C to 40 °C (14 °F to 104 °F)
Working Humidity	10% RH to 80% RH (without condensation)
Storage Temperature	-20 °C to 60 °C (-4 °F to 140 °F)
Storage Humidity	10% RH to 85% RH (without condensation)
General	
Package Dimension (W × H × D)	673 (W) mm × 453 (H) mm × 390 (D) mm (26.496" × 17.834" × 15.354") (40 cabinets in 1 box)
Packing List	Several LED lamp beads and IC components Several signal cables and power cables
Gross Weight	0.55 kg (1.21 lb)
Life Span	100,000 hours
Net Weight	0.48 kg (1.06 lb)

▪ **Available Model**

DS-D41Q15CA-1PHT/UHK

▪ **Dimension**



**Headquarters**

No.555 Qianmo Road, Binjiang District,  
Hangzhou 310051, China  
T +86-571-8807-5998  
www.hikvision.com



Follow us on social media to get the latest product and solution information.

