

**DS-D2055LE-G/UHK  
LCD Display**

The DS-D2055LE-G/UHK LCD display uses an industry-level panel with extreme-narrow bezel design, which enables a bezel width of 1.8 mm between neighboring displays. The adopted direct-lit LED backlighting technology helps achieve ultra-high and uniform brightness of 500 cd/m<sup>2</sup> without boundary shadows. The display has abundant interfaces for video inputs, such as DVI, VGA, HDMI, and DP.

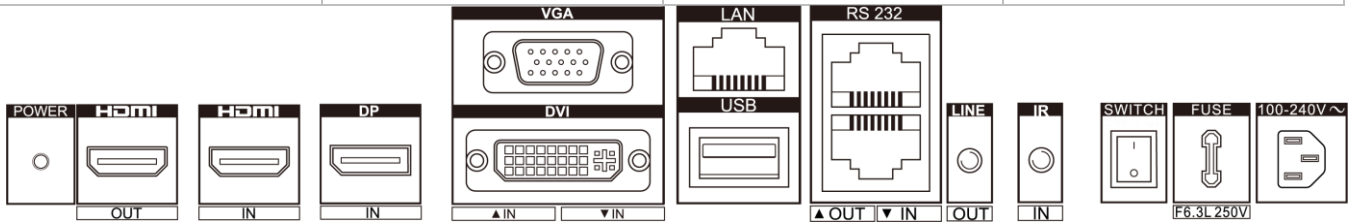
- 4K signal input, auto loop up to 30 screens with HDMI interfaces
- Switching between three picture modes: Monitoring, Meeting, and Movie
- Factory calibration for color and brightness uniformity
- Direct-lit LED backlight with uniform brightness and no boundary shadows
- 178° viewing angle with 3D Noise reduction technology
- Extreme-narrow 1.8 mm bezel design
- Anti-glare, high definition, high brightness, high color gamut, and vivid images with rich colors
- Stable and 24-hour continuous working
- Metal casing for preventing from radiation and magnetic & electric field interference
- Wall-mount and modular brackets available to meet various installation requirements
- Mean Time Between Failures 50,000 hours

## ▪ Specification

<b>Display</b>	
Screen Size	55 inch
Active Display Area	1209.6 (H) mm × 680.4 (V) mm
Backlight	Direct-lit LED backlight
Pixel Pitch	0.63 mm
Pixel Density	80 dpi
Physical Seam	1.8 mm
Bezel Width	1.3 mm (top/left), 0.5 mm (bottom/right)
Input Resolution	4K (3840 × 2160) @60Hz
Brightness	500 cd/m <sup>2</sup>
Viewing Angle	Horizontal 178°, vertical 178°
Color Depth	10 bit, 1.07 B
Color Temperature	100,000K
Contrast Ratio	1200:1
Response Time	8 ms
Color Gamut	72% NTSC
Surface Treatment	Haze 28%, 2H
<b>Interface</b>	
Video & Audio Input	VGA × 1, HDMI × 1, DVI × 1, DP × 1, USB × 1
Video & Audio Output	HDMI × 1
Control Interface	RS232 IN × 1, RS232 OUT × 1
<b>Power</b>	
Power Supply	100 to 240 VAC, 50/60 Hz
Power Consumption	≤ 245 W
Standby Consumption	≤ 0.5 W
<b>Working Environment</b>	
Working Temperature	0 °C to 40 °C (32 °F to 104 °F)
Working Humidity	10% RH to 80% RH (non-condensing)
Storage Temperature	-20 °C to 60 °C (-4 °F to 140 °F)
Storage Humidity	10% RH to 90% RH (non-condensing)
<b>General</b>	
Casing Material	SGCC
VESA	600 (H) mm × 400 (V) mm
Product Dimension (W × H × D)	1212.21 (W) mm × 683.06 (H) mm × 69.3 (D) mm (47.72" × 26.89" × 2.73")
Package Dimension (W × H × D)	1404 (W) mm × 910 (H) mm × 231 (D) mm (55.28" × 35.83" × 9.09")
Net Weight	20.5 ± 0.5 kg (45.2 ± 1.1 lb) for single display
Gross Weight	39.1 ± 0.5 kg (86.2 ± 1.1 lb) for carton with a single display
Packing List	Carton with a single display : LCD display × 1, power cable × 1, network cable × 1, 2-meter HDMI cable × 1, screw × 4, remote control × 1, IR receiver × 1, RS-232 converter × 1, quick start guide (multilingual) × 1, quick start guide (English) × 1

## Physical Interface

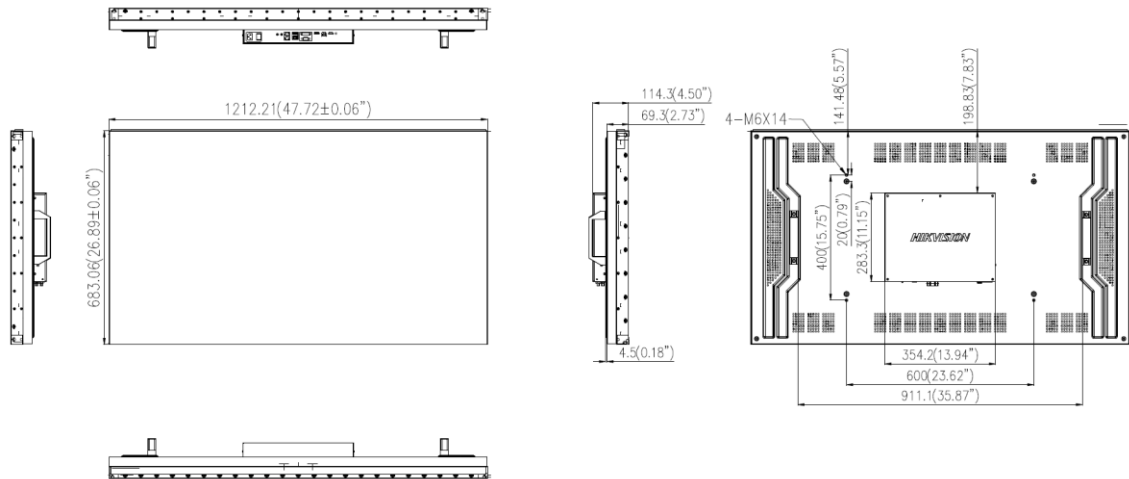
Interface	Description	Interface	Description
POWER	Power indicator	DVI IN	DVI-I input interface for digital signals
LINE OUT	Audio output interface for analog signals	RS 232 OUT	Serial loopback output interface
HDMI OUT	HDMI output interface for digital signals	RS 232 IN	Serial input interface
HDMI IN	HDMI input interface for digital signals	USB	Reserved interface
DP IN	DP input interface for digital signals	LAN	Reserved interface
VGA IN	VGA input interface for analog signals	IR IN	IR input interface
100-240V~	Power input	SWITCH	Switch button



## Available Model





DS-D2055LE-G/UHK

## Dimension



▪ **Accessory**

▪ **Optional**

<b>DS-DN4655W/U</b> Wall-mounted Bracket	<b>DS-DN55E4M/F</b> Modular Bracket (Frame)	<b>DS-DN55E4M/B</b> Modular Bracket (Base)	<b>DS-DN5501W</b> Wall-mounted Bracket
			

# See Far, Go Further



[www.hikvision.com](http://www.hikvision.com)  
[support@hikvision.com](mailto:support@hikvision.com)

