

DS-2CD1121G0-I 2 MP Fixed Dome Network Camera



- High quality imaging with 2 MP resolution
- Easy installation with Power over Ethernet (PoE) technology

▪ Specification

| Camera | |
|------------------------|---|
| Image Sensor | 1/2.9" Progressive Scan CMOS |
| Max. Resolution | 1920 × 1080 |
| Shutter Time | 1/3 s to 1/100,000 s |
| Min. Illumination | Color: 0.01 Lux @ (F2.2, AGC ON), B/W: 0 Lux with IR |
| Day & Night | IR cut filter |
| Angle Adjustment | Pan: 0° to 360°, tilt: 0° to 75° |
| Lens | |
| Lens Type | Fixed focal lens, 2.8 and 4 mm optional |
| Focal Length & FOV | 2.8 mm, horizontal FOV 101°, vertical FOV 56°, diagonal FOV 118° 4 mm, horizontal FOV 80°, vertical FOV 44°, diagonal FOV 94° |
| Lens Mount | M12 |
| Iris Type | Fixed |
| Aperture | F2.2 |
| Depth of Field | 2.8 mm: 0.8 m to ∞ 4 mm: 1 m to ∞ |
| DORI | |
| DORI | 2.8 mm, D: 44 m, O: 17 m, R: 8 m, I: 4 m 4 mm, D: 55 m, O: 22 m, R: 11 m, I: 5 m |
| Illuminator | |
| Supplement Light Type | IR |
| Supplement Light Range | Up to 20 m |
| Smart Supplement Light | Yes |
| IR Wavelength | 850 nm |
| Video | |
| Main Stream | 50 Hz: 25 fps (1920 × 1080, 1280 × 720) 60 Hz: 30 fps (1920 × 1080, 1280 × 720) |
| Sub-Stream | 50 Hz: 25 fps (640 × 480, 640 × 360) 60 Hz: 30 fps (640 × 480, 640 × 360) |
| Video Compression | Main stream: H.265+/H.265/H.264+/H.264, Sub-stream: H.265/H.264 |
| Video Bit Rate | 32 Kbps to 8 Mbps |
| H.264 Type | Baseline Profile, Main Profile, High Profile |
| H.265 Type | Main Profile |
| Bit Rate Control | CBR, VBR |
| Network | |
| Security | Password protection, complicated password, watermark, basic and digest authentication for HTTP, security audit log, host authentication (MAC address) |
| Simultaneous Live View | Up to 6 channels |
| API | ISAPI, SDK |
| Protocols | TCP/IP, ICMP, DHCP, DNS, HTTP, RTP, RTSP, NTP, IGMP, UDP, QoS |
| User/Host | Up to 32 users 3 user levels: administrator, operator, and user |
| Client | iVMS-4200 |

| | |
|----------------------------------|---|
| Web Browser | Plug-in required live view: IE 10, IE 11, Local service: Chrome 57.0+, Firefox 52.0+, Edge 89+ |
| Image | |
| Wide Dynamic Range (WDR) | Digital WDR |
| SNR | ≥ 52 dB |
| Day/Night Switch | Day, Night, Auto, Schedule |
| Image Enhancement | BLC, HLC, 3D DNR |
| Image Settings | Saturation, brightness, contrast, sharpness, gain, white balance, adjustable by client software or web browser |
| Interface | |
| Ethernet Interface | 1 RJ45 10 M/100 M self-adaptive Ethernet port |
| Event | |
| Basic Event | Motion detection, exception |
| Linkage | Notify surveillance center |
| General | |
| Power | 12 VDC ± 25%, 0.4 A, max. 4.8 W, Ø5.5 mm coaxial power plug, reverse polarity protection, PoE: IEEE 802.3af, Class 3, max. 6.5 W |
| Material | Plastic |
| Dimension | Ø110.8 mm × 85.2 mm (Ø4.36" × 3.35") |
| Package Dimension | 163 mm × 75 mm × 75 mm (6.4" × 3.0" × 3.0") |
| Weight | Approx. 240 g (0.5 lb.) |
| With Package Weight | Approx. 380 g (0.8 lb.) |
| Storage Conditions | -10 °C to 40 °C (14 °F to 104 °F). Humidity 95% or less (non-condensing) |
| Startup and Operating Conditions | -10 °C to 40 °C (14 °F to 104 °F). Humidity 95% or less (non-condensing) |
| Language | English, Ukrainian |
| General Function | Heartbeat, anti-banding, mirror, password protection, password reset via email |
| Approval | |
| EMC | CE-EMC: EN 55032: 2015, EN 61000-3-2:2019, EN 61000-3-3: 2013+A1:2019, EN 50130-4: 2011 +A1: 2014 |
| Safety | CB: IEC 62368-1: 2014+A11, CE-LVD: EN 62368-1: 2014/A11: 2017 |
| Environment | CE-RoHS: 2011/65/EU, WEEE: 2012/19/EU, Reach: Regulation (EC) No 1907/2006 |

▪ Typical Application

Hikvision products are classified into three levels according to their anti-corrosion performance. Refer to the following description to choose for your using environment.

This model has NO SPECIFIC PROTECTION.

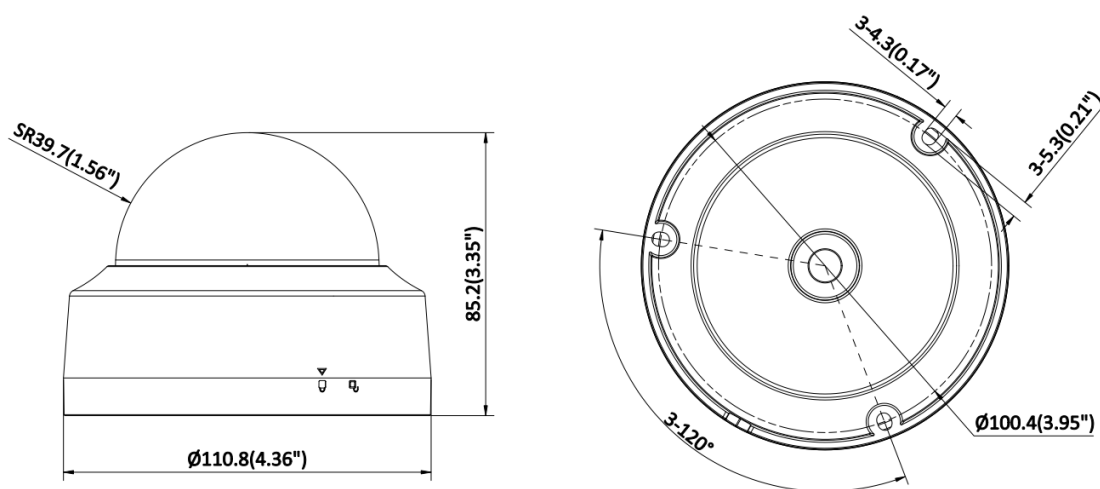
| Level | Description |
|----------------------|--|
| Top-level protection | Hikvision products at this level are equipped for use in areas where professional anti-corrosion protection is a must. Typical application scenarios include coastlines, docks, chemical plants, and more. |
| Moderate protection | Hikvision products at this level are equipped for use in areas with moderate |

| | |
|------------------------|---|
| | anti-corrosion demands. Typical application scenarios include coastal areas about 2 kilometers (1.24 miles) away from coastlines, as well as areas affected by acid rain. |
| No specific protection | Hikvision products at this level are equipped for use in areas where no specific anti-corrosion protection is needed. |

▪ **Available Model**

DS-2CD1121G0-I (2.8/4 mm)
 DS-2CD1121G0-I (2.8/4mm)(B)

▪ **Dimension**






Unit: mm (inch)

▪ **Accessory**

▪ **Optional**

| DS-1275ZJ-SUS Vertical Pole Mount | DS-2200ZJ-WAJ-110 Wall Mount | DS-2200ZJ-WA-110 Wall Mount | DS-1276ZJ-SUS Corner Mount | DS-1250ZJ Rain Shade |
|--------------------------------------|---------------------------------|--------------------------------|---------------------------------|------------------------------|
| | | | | |
| DS-1259ZJ Inclined Ceiling Mount | DS-1258ZJ Wall Mount | DS-1280ZJ-DM18 Junction Box | DS-2280ZJ-WA110 Junction Box | DS-1272ZJ-110B Wall Mount |
| | | | | |

| DS-1272ZJ-110 Wall Mount | DS-1271ZJ-110 Pendant Mount | DS-2210ZJ-WA-110 Pendant Mount |
|---|---|---|
|  |  |  |

Headquarters

No.555 Qianmo Road, Binjiang District,
Hangzhou 310051, China
T +86-571-8807-5998
www.hikvision.com



Follow us on social media to get the latest product and solution information.

