

## 52 系列道闸灯条杆接线及测试/How does TMG52x series barrier with LED light bar wire and test

52 系列道闸灯条杆，由于杆子与道闸本体是分开包装，因此灯带部分接线需要现场完成。  
The boom pole with LED light bar, need wires LED light bar to main board on site.

**现场测试及接线步骤如下/ Step for wiring and test:**

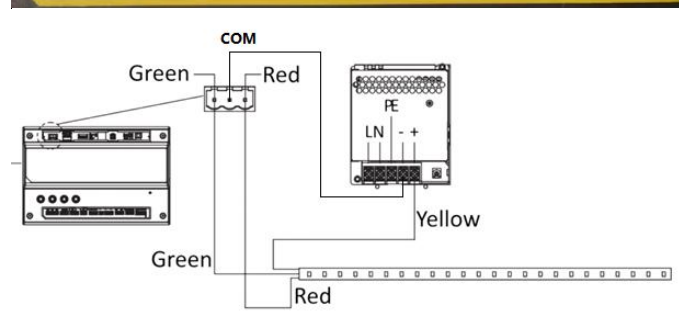
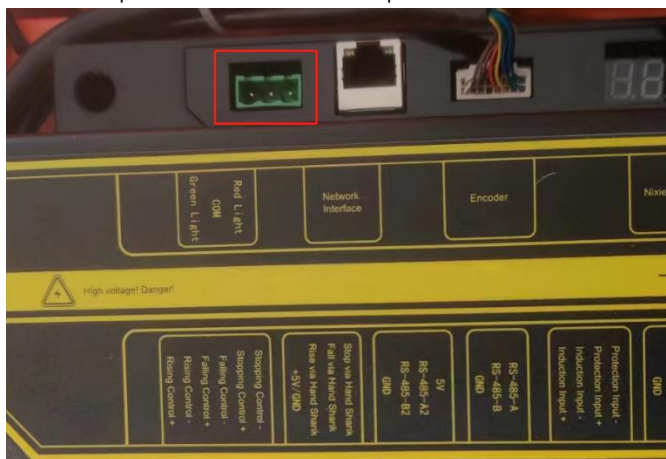
### 1、接线\Wiring

灯带共有三根线，其中红线接道闸主板的红绿灯接口的 red，绿线接 green，黄线接开关电源的正极。

There are three lines for LED light bar, red connect to red port on barrier board, green connect to green port on barrier board, yellow connect to '+' on power.

道闸主板的红绿灯接口的 Com 接开关电源的负极。

The com port connect to '-' on power.



### 2、道闸上电测试

道闸关闭状态下，灯带显示红色；开启时，灯带显示绿色。

When barrier closed, LED light bar shows red; when barrier opened, LED light bar shows green.

**其他/Other:**

#### 1、灯带单体测试

TEST LED light bar

电源/power supply: 12V DC

灯带黄色线为正极，红色线、绿色线为负极。

The yellow line of the LED light bar is positive, and the red and green lines are negative.

黄+，红-：灯带 显示红色

When connect yellow to +, red to -, LED light bar shows red.

黄+，绿-：灯带 显示绿色

When connect yellow to +, green to -, LED light bar shows green.

## 2、道闸接口测试

万用表蜂鸣档进行测试/test with multimeter

预期结果/Expected result:

开状态，red 及 yellow，持续蜂鸣，green 及 com，不蜂鸣；

When barrier opened, red and yellow will have output, multimeter will keep beep, but green and com will not;

关状态，green 及 com，持续蜂鸣，red 及 yellow，不蜂鸣。

When barrier closed, green and com will have output, multimeter will keep beep, but red and yellow will not.