

<b>Title:</b>	How to Connect Pyronix Deltabell to Panel	<b>Version:</b>	v1.0	<b>Date:</b>	12/21/2018
<b>Product:</b>	Pyronix Product			<b>Page:</b>	1 of 3

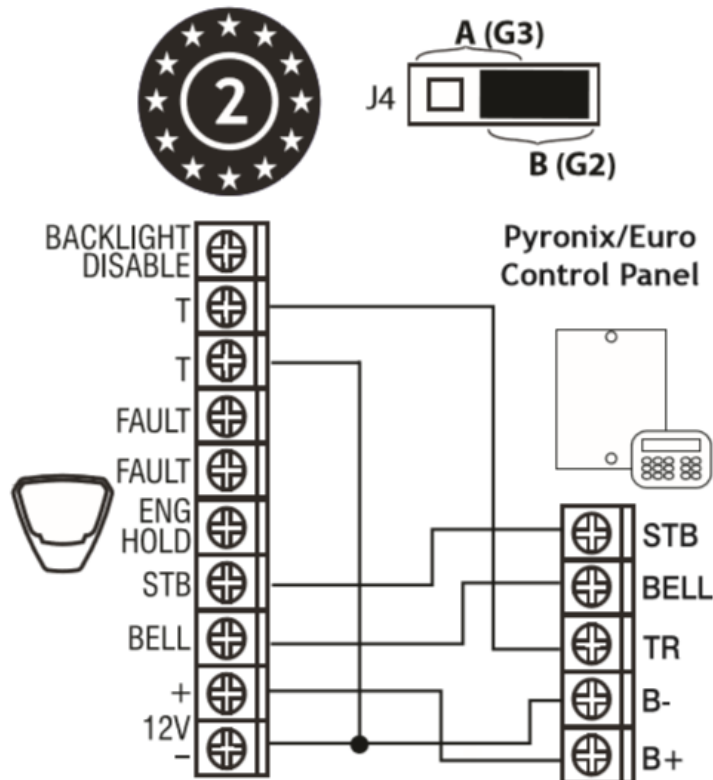
## Preparation

1. Pyronix Deltabell-X
2. Pyronix Panel
3. DS-19A series Network Security Control Panel or MBUS Security Control Panel

## How to Connect Pyronix Deltabell to Panel

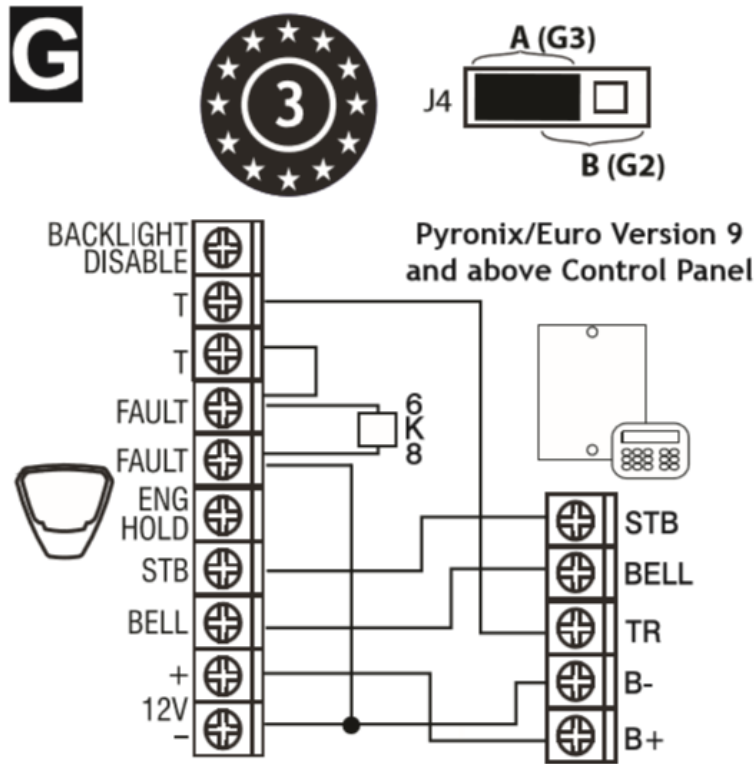
### 1. Connect Deltabell-X to Pyronix Panel

- 1) EN Grade 2 connection mode as follows:

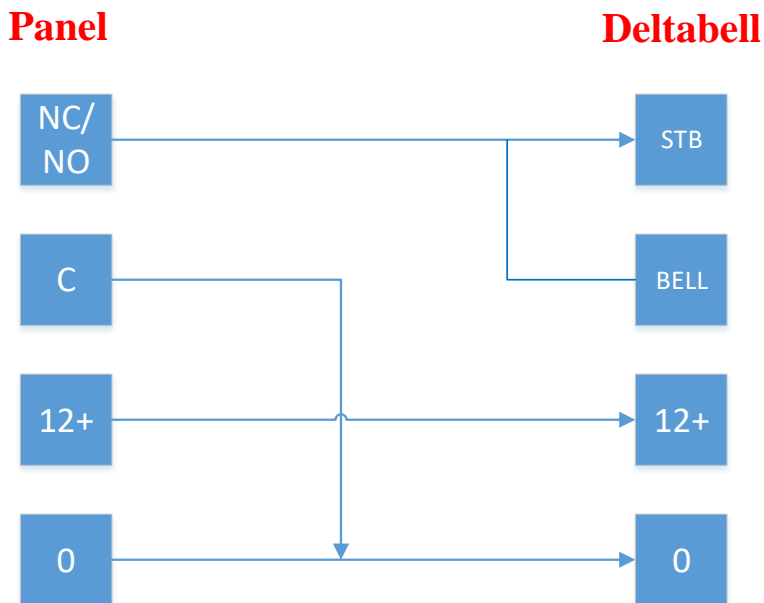


- 2) EN Grade 3 connection mode as follows:

<b>Title:</b>	How to Connect Pyronix Deltabell to Panel	<b>Version:</b>	v1.0	<b>Date:</b>	12/21/2018
<b>Product:</b>	Pyronix Product			<b>Page:</b>	2 of 3



## 2. Connect Deltabell-X to Hikvision Panel





<b>Title:</b>	How to Connect Pyronix Deltabell to Panel	<b>Version:</b>	v1.0	<b>Date:</b>	12/21/2018
<b>Product:</b>	Pyronix Product			<b>Page:</b>	3 of 3

**First Choice for Security Professionals**  
**HIKVISION Technical Support**