

HIKVISION®

#1 CCTV
EQUIPMENT PROVIDER
WORLDWIDE

Hikvision Commercial Displays

Product Quick Guide

LED, Interactive Flat Panels, LCD, Digital Signage



Who is Hikvision?

Our Mission and Vision

Hikvision is an IoT solution and big data service provider with video as its core competency

Vision

Empower vision for the security and sustainable growth of the world.

Mission

To explore innovative ways to better perceive and understand the world.
To empower vision for decision-makers and practitioners, and work together to enhance safety and advance sustainable development around the world.

Hikvision At a Glance

Compound growth rate
from 2010 to 2020 **33.21%**



Total revenue
in 2020 **\$9.20B**



International subsidiaries
and branch offices

66

100,000+

Partners
globally

Countries and regions
using our products

150+

2001

Year
founded



19+

Years steady
growth



42,000+

Employees
worldwide



20,000+

R&D
engineers

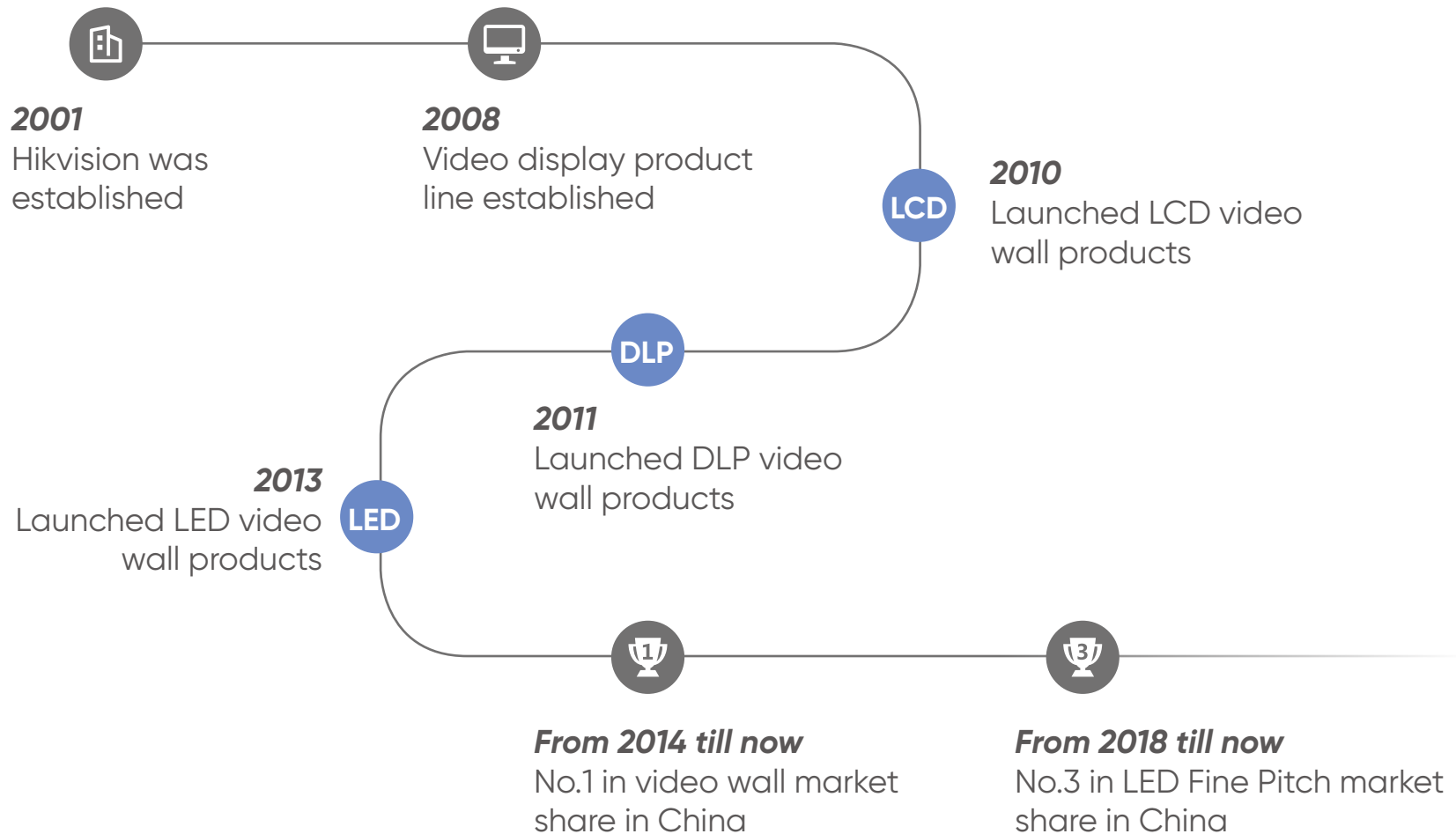


Over 9%

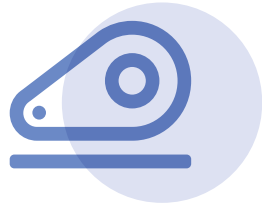
Annual revenue
invested in R&D



Hikvision Display Product Development Timeline



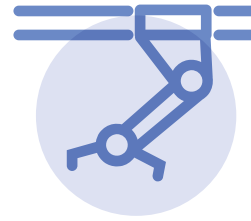
Hikvision LED Production Line



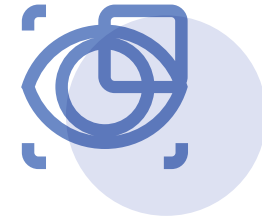
Fully imported ultra-high-speed patch line, capable of patching 64 million lamp beads per day, about 220m² P1.8.



The first in the industry to acquire a fully-automated aging test.



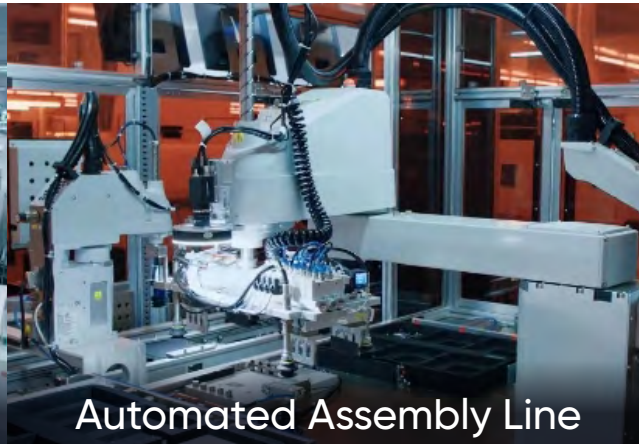
Independently developed an automated LED assembly line, greatly improving production efficiency.



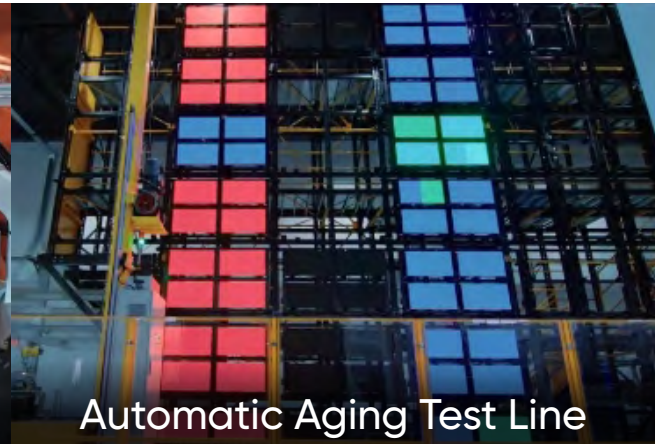
Hikvision's own machine vision technology monitors aging data in real time, and comprehensively improves delivery efficiency and product quality.



SMT Production Line



Automated Assembly Line



Automatic Aging Test Line

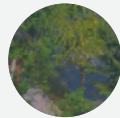
COMMERCIAL DISPLAYS

- LED
- Interactive Flat Panels
- LCD
- Digital Signage

Hikvision LEDs Highlighted Features

True-to-Life Display

PixMaster Pixel Control Technology

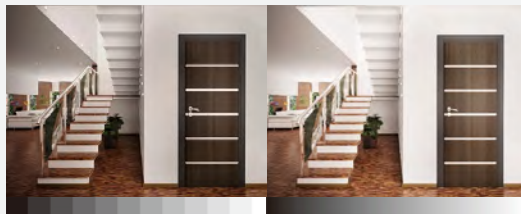


Hikvision LED

Ordinary LED

Proprietary image processing technology enhances image clarity without loss of detail.

Top Grayscale



Conventional

22 Bit Grayscale

The 22-bit top grayscale brings you a wider range of color grades.

Simple Usability

Powerful LED Controller



High Capacity

- Up to 4096 x 2160 @ 60 Hz
- Dual-signal backup

Upgrade On Cloud

- One-click convenient system upgrading using EZVIZ cloud

Self-splicing

- Self-splicing up to four 4K displays without needing video wall controller

Convenient Remote Control



LED screen

Convenient to use with the handheld Remote Control, including adjustment of display modes & signal source switches, brightness level, automatic dehumidification and blue light filtering.

Easy Installation and Maintenance

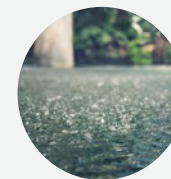
Quick Front Maintenance



Wireless front maintenance tool for quick removal of LED modules and maintenance of internal electronic components.

Automatic Dehumidification

- One-click automatic dehumidification
- Extended LED lifespan and reduced broke light rate by 30%



Rainy Season



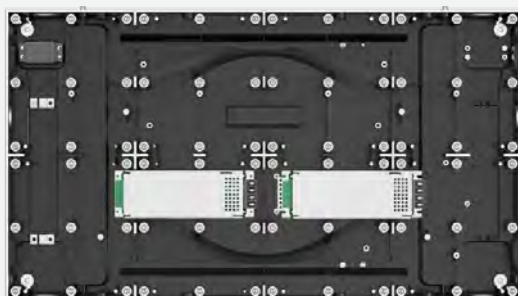
Moisture Region



Coastal Areas

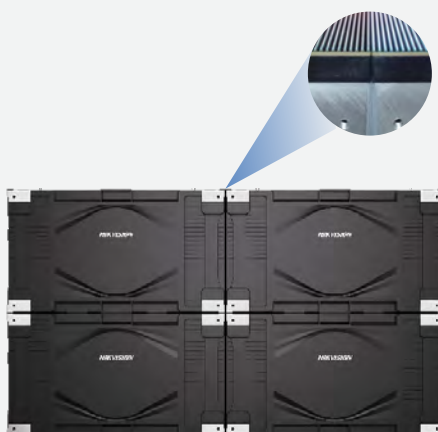
High-Quality Hardware

Dual Power Supply



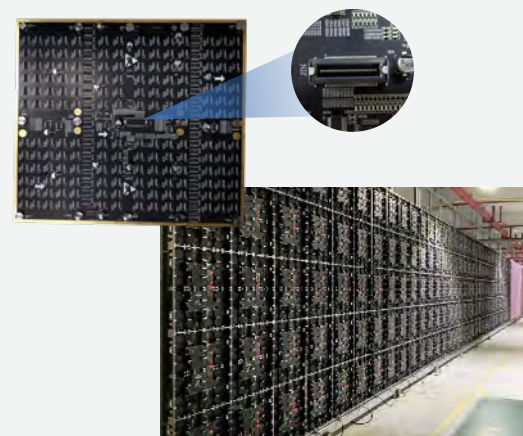
Dual power backup design ensures more stable and secure operation.

High-Precision Seamless Splicing



Die-cast aluminum cabinet is lightweight and strong, ensuring seamless, high-precision splicing.

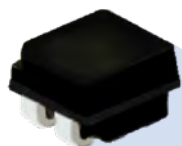
Floating Connector Design



The connector can move slightly, helping to adjust lamp board flatness.

First-Class Components

Hikvision LEDs use first-class industry components: LED lamps, LED packaging, driver IC chips, PFC power supplies, and cabinet materials.






Indoor LED Display





Model		DS-D4209FI-MWF	DS-D4212FI-GWF/III	DS-D4212FI-CWF/III	DS-D4212FI-MWF	DS-D4215FI-GWF/III
Image						
Module Composition	Pixel Structure	Surface mounted quaternary LED		SMD Triad LED		
	Pixel Pitch (mm)	0.9375 mm		1.25 mm		1.5625 mm
	Module Resolution (W × H)	320 × 90		240 × 67		192 × 54
	Module Dimensions (W × H)	300 × 84.375 mm				
	Unit Module Composition (W × H)	2 × 4				
Unit Composition	Unit Resolution (W × H)	640 × 360		480 × 270		384 × 216
	Unit Dimensions (W × H)	600 × 337.5 mm				
	Weight	5.4 kg (11.9 lbs)				
	Pixel Density	142,222 dots/m ²		640,000 dots/m ²		409,600 dots/m ²
	Unit Ratio	16 : 9				
	Maintenance Mode	Front-maintenance				
Optical Parameters	Brightness (nits)	800 nits				
	Color Temperature	3,000 K to 10,000 K adjustable				
	Viewing Angle	Horizontal 160°, vertical 160°				
	Luminous Point Center Distance Deviation	< 3%				
	Brightness Uniformity	≥ 97%				
	Color Uniformity	≤ ± 0.003Cx, Cy				
	Max. Contrast	≥ 5,000 : 1				
Electrical Parameters	Peak Consumption (W/m ²)	142 W/m ²		600 W/m ²		450 W/m ²
	Average Consumption (W/m ²)	47 W/m ²		200 W/m ²		150 W/m ²
	Power Supply	110 to 240 VAC ± 15%				
Processing Performance	Drive Mode	Constant current driving				
	Frame Rate	60 Hz				
	Refresh Rate	Up to 3,840 Hz				
General	Service Life (H)	≥ 100,000 (H)				
	Temperature	-10 to 40 °C (10 to 104 °F)				
	Humidity (RH)	10% to 80% (non-condensing)			10% to 60% (non-condensing)	10% to 80% (non-condensing)

Model		DS-D4215FI-CWF/III	DS-D4215FI-MWF	DS-D4218FI-CWF/III	DS-D4225FI-CWF/III
Image					
Module Composition	Pixel Structure	SMD Triad LED	SMD Quaternary LED	SMD Triad LED	
	Pixel Pitch (mm)	1.5625 mm	1.56 mm	1.875 mm	2.48 mm
	Module Resolution (W × H)	192 × 54	192 × 54	160 × 45	120 × 34
	Module Dimensions (W × H)	300 × 84.375 mm			
	Unit Module Composition (W × H)	2 × 4			
Unit Composition	Unit Resolution (W × H)	384 × 216		320 × 180	240 × 136
	Unit Dimensions (W × H)	600 × 337.5 mm			
	Weight	5.4 kg (11.9 lbs)			
	Pixel Density	409,600 dots/m ²		284,444 dots/m ²	161,185 dots/m ²
	Unit Ratio	16 : 9			
	Maintenance Mode	Front-maintenance			
Optical Parameters	Brightness (nits)	800 nits	600 nits	800 nits	
	Color Temperature	3,000 K to 10,000 K adjustable			
	Viewing Angle	Horizontal 160°, vertical 160°			
	Luminous Point Center Distance Deviation	< 3%			
	Brightness Uniformity	≥ 97%			
	Color Uniformity	≤ ± 0.003 Cx, Cy			
	Max. Contrast	≥ 5,000 : 1	≥ 3,000 : 1	≥ 5,000 : 1	
Electrical Parameters	Peak Consumption (W/m ²)	450 W/m ²	550 W/m ²	345 W/m ²	375 W/m ²
	Average Consumption (W/m ²)	150 W/m ²	183 W/m ²	115 W/m ²	125 W/m ²
	Power Supply	110 to 240 VAC ± 15%			
Processing Performance	Drive Mode	Constant current driving			
	Frame Rate	60 Hz			
	Refresh Rate	Up to 3,840 Hz			
General	Service Life (H)	≥ 100,000 (H)			
	Temperature	-10 to 40 °C (10 to 104 °F)			
	Humidity (RH)	10% to 80% (non-condensing)	10% to 60% (non-condensing)	10% to 80% (non-condensing)	





Model		DS-D4418FI-CAF(B)	DS-D4425FI-CAF(B)	DS-D4425FI-CKF
Image				
Module Composition	Pixel Structure	SMD Triad LED		SMD 3-IN-1 LED
	Pixel Pitch (mm)	1.875 mm	2.5 mm	2.5 mm
	Module Resolution (W × H)	128 × 144	96 × 108	85 × 96
	Module Dimensions (W × H)	240 × 270 mm		213.33 × 240 mm
	Unit Module Composition (W × H)	2 × 2		3 × 2
Unit Composition	Unit Resolution (W × H)	256 × 288	192 × 216	256 × 192
	Unit Dimensions (W × H)	480 × 540 mm		640 × 480 mm
	Weight	3.5 kg (7.72 lbs)	3.5 Kg (7.72lb), 6.9 Kg(15.21lbs)	8.8 Kg (19.4 lbs)
	Pixel Density	284,444 dots/m ²	160,000 dots/m ²	
	Unit Ratio	16 : 9		
	Maintenance Mode	Front-maintenance		
Optical Parameters	Brightness (nits)	800 nits		600 nits
	Color Temperature	3,000 K to 10,000 K adjustable		
	Viewing Angle	Horizontal 160°, vertical 160°		
	Luminous Point Center Distance Deviation	≤ 3%		
	Brightness Uniformity	≥ 97%		
	Color Uniformity	≤ ± 0.003Cx, Cy		
	Max. Contrast	≥ 5,000 : 1		
Electrical Parameters	Peak Consumption (W/m ²)	600 W/m ²		
	Average Consumption (W/m ²)	200 W/m ²		
	Power Supply	110 to 240 VAC ± 15%		
Processing Performance	Drive Mode	Constant current driving		
	Frame Rate	60 Hz		
	Refresh Rate	Up to 3,840 Hz	3,840 Hz	
General	Service Life (H)	≥ 100,000 (H)		
	Temperature	-10 to 40 °C (10 to 104 °F)		
	Humidity (RH)	10% to 80% (non-condensing)		




Outdoor LED Display

Model		DS-D4240FO	DS-D4250FO	DS-D4260FO
Image				
Module Composition	Pixel Structure	SMD Triad LED		
	Pixel Pitch (mm)	4.0 mm	5.0 mm	6.67 mm
	Module Resolution (W × H)	80 × 40	64 × 32	48 × 24
	Module Dimensions (W × H)	320 × 160 mm		
Unit Composition	Unit Module Composition (W × H)	3 × 6		
	Unit Resolution (W × H)	240 × 240	192 × 192	144 × 144
	Unit Dimensions (W × H)	960 × 960 mm		
	Weight	29 kg (63.9 lbs)		
	Pixel Density	62,500 dots/m ²	40,000 dots/m ²	22,500 dots/m ²
	Unit Ratio	1 : 1		
	Maintenance Mode	Rear-maintenance		
Optical Parameters	Brightness (nits)	≥ 5,500 nits		≥ 6,000 nits
	Color Temperature	2,000 K to 9,300 K adjustable		
	Viewing Angle	Horizontal: 140° Vertical: 140°		
	Luminous Point Center Distance Deviation	<3%		
	Brightness Uniformity	≥ 95%	≥ 97%	
	Color Uniformity	≤ ± 0.003Cx, Cy		
Electrical Parameters	Peak Consumption	850 W/m ²		
	Average Consumption	280 W/m ²		
	Power Supply	110 to 240 VAC ± 15%		
Processing Performance	Drive Mode	Constant current driving		
	Frame Rate	60 Hz		
	Refresh Rate	3,840 Hz		
General	Service Life (H)	>100,000 (H)		
	Temperature	-10 to 55 °C (14 to 131 °F)		
	Humidity (RH)	10% to 80% (Non-condensing)	10% to 90% (Non-condensing)	10% to 80% (Non-condensing)





Model		DS-D4280FO	DS-D42A0FO	DS-D42A0FO-D	DS-D42A6FO-D
Image					
Module Composition	Pixel Structure	SMD Triad LED		DIP Triad LED	
	Pixel Pitch (mm)	8.0 mm	10.0 mm		16.0 mm
	Module Resolution (W × H)	40 × 20	32 × 16		20 × 10
	Module Dimensions (W × H)	320 × 160 mm			
Unit Composition	Unit Module Composition (W × H)	3 × 6			
	Unit Resolution (W × H)	120 × 120	96 × 96		60 × 60
	Unit Dimensions (W × H)	960 × 960 mm			
	Weight	29 kg (63.9 lbs)			
	Pixel Density	15,625 dots/m ²	10,000 dots/m ²		3,906 dots/m ²
	Unit Ratio	1 : 1			
Optical Parameters	Maintenance Mode	Rear-maintenance			
	Brightness (nits)	≥ 6,000 nits		≥ 7,500 nits	
	Color Temperature	2,000 K to 9,300 K adjustable			
	Viewing Angle	Horizontal: 140° Vertical: 140°		Horizontal: 110° Vertical: 50°	
	Luminous Point Center Distance Deviation	<3%			
	Brightness Uniformity	≥ 97%			
Electrical Parameters	Color Uniformity	≤ ± 0.003Cx, Cy			
	Peak Consumption	780 W/m ²		500 W/m ²	
	Average Consumption	260 W/m ²		165 W/m ²	
Processing Performance	Power Supply	110 to 240 VAC ± 15%			
	Drive Mode	Constant current driving			
	Frame Rate	60 Hz			
	Refresh Rate	3,840 Hz			
General	Service Life (H)	>100,000 (H)			
	Temperature	-10 to 55 °C (14 to 131 °F)			
	Humidity (RH)	10% to 80% (Non-condensing)			



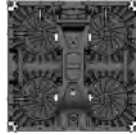
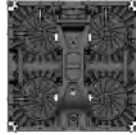
Model		DS-D4225FO-BGF	DS-D4239FO-BGF	DS-D4248FO-BGF
Image				
Module Composition	Pixel Structure	SMD 3-IN-1 LED		
	Pixel Pitch (mm)	2.5 mm	3.9 mm	4.8 mm
	Module Resolution (W × H)	100 × 100	64 × 64	52 × 52
	Module Dimensions (W × H)	250 × 250 mm		
Unit Composition	Unit Module Composition (W × H)	2 × 2		
	Unit Resolution (W × H)	200 × 200	128 × 128	104 × 104
	Unit Dimensions (W × H)	500 × 500 mm		
	Weight	8.25 Kg		
	Pixel Density	160,000 dots/m ²	65,536 dots/m ²	43,264 dots/m ²
	Unit Ratio	1 : 1		
	Maintenance Mode	Front-maintenance		
Optical Parameters	Brightness (nits)	5,000 nits	5,500 nits	
	Color Temperature	2,000 K to 9,300 K adjustable		
	Viewing Angle	Horizontal 140°, vertical 140°		
	Luminous Point Center Distance Deviation	< 3%		
	Brightness Uniformity	≥ 97%		
	Color Uniformity	≤ ± 0.003 Cx, Cy		
Electrical Parameters	Peak Consumption	750 W/m ²		
	Average Consumption	250 W/m ²		
	Power Supply	110 to 220 VAC ± 15%		
Processing Performance	Drive Mode	Constant current driving		
	Frame Rate	60 Hz		
	Refresh Rate	3,840 Hz		
General	Service Life (H)	> 100,000 (H)		
	Temperature	-10 to 55 °C (14 to 131 °F)		
	Humidity (RH)	10% to 80% (non-condensing)		

Model		DS-D4440FO	DS-D4450FO	DS-D4460FO	DS-D4480FO
Image					
Module Composition	Pixel Structure	1R1G1B			
	Pixel Pitch (mm)	4.0 mm	5.0 mm	6.0 mm	8.0 mm
	Module Resolution (W × H)	80 × 40	64 × 32	48 × 24	40 × 20
	Module Dimensions (W × H)	320 × 160 mm			
Unit Composition	Unit Module Composition (W × H)	3 × 6			
	Unit Resolution (W × H)	240 × 240	192 × 192	144 × 144	120 × 120
	Unit Dimensions (W × H)	960 × 960 mm			
	Weight	29 kg (63.9 lbs)			
	Pixel Density	62,500 dots/m ²	40,000 dots/m ²	27,777 dots/m ²	15,625 dots/m ²
	Unit Ratio	1 : 1			
	Maintenance Mode	Rear-maintenance			
Optical Parameters	Brightness (nits)	≥ 5,500 nits			
	Color Temperature	2,000 K to 9,500 K adjustable			
	Viewing Angle	Horizontal: 120°, Vertical: 120°			
	Luminous Point Center Distance Deviation	< 3%			
	Brightness Uniformity	≥ 95%	≥ 97%		
	Color Uniformity	≤ ± 0.003 Cx, Cy			
Electrical Parameters	Peak Consumption	900 W/m ²	950 W/m ²	900 W/m ²	
	Average Consumption	300 W/m ²	315 W/m ²	300 W/m ²	
	Power Supply	100 to 240 VAC ± 15%			
Processing Performance	Drive Mode	Constant Current Driving			
	Frame Rate	60 Hz			
	Refresh Rate	≥ 1,920 Hz			
	Service Life (H)	>100,000 (H)			
General	Temperature	-20 to 50 °C (-4 to 122 °F)			
	Humidity (RH)	10% to 90% (Non-condensing)			





Model		DS-D44A0FO	DS-D44A0FO-D	DS-D44A6FO-D
Image				
Module Composition	Pixel Structure	SMD3535	DIP Triad LED	
	Pixel Pitch (mm)	10.0 mm		16.0 mm
	Module Resolution (W × H)	32 × 16		20 × 10
	Module Dimensions (W × H)	320 × 160 mm		
Unit Composition	Unit Module Composition (W × H)	3 × 6		
	Unit Resolution (W × H)	96 × 96		60 × 60
	Unit Dimensions	960 × 960 mm		
	Weight	29 kg (63.9 lbs)		
	Pixel Density	10,000 dots/m ²		3,906 dots/m ²
	Unit Ratio	1 : 1		
	Maintenance Mode	Rear-maintenance		
Optical Parameters	Brightness (nits)	≥ 5,500 nits	≥ 7,500 nits	
	Color Temperature	2,000 K to 9,500 K adjustable	2,000 K to 9,300 K adjustable	
	Viewing Angle	Horizontal: 120°, Vertical: 120°	Horizontal: 110°, Vertical: 50°	
	Luminous Point Center Distance Deviation	<3%		
	Brightness Uniformity	≥ 97%		
	Color Uniformity	≤ ± 0.003 Cx, Cy		
Electrical Parameters	Peak Consumption	900 W/m ²	500 W/m ²	500 W/m ²
	Average Consumption	300 W/m ²	165 W/m ²	165 W/m ²
	Power Supply	100 to 240 VAC ± 15%	110 to 220 VAC ± 15%	
Processing Performance	Drive Mode	Constant Current Driving		
	Frame Rate	60 Hz		
	Refresh Rate	1,920 Hz	3,840 Hz	
General	Service Life (H)	>100,000 (H)		
	Temperature	-20 to 50 °C (-4 to 122 °F)	-10 to 55 °C (14 to 131 °F)	
	Humidity (RH)	10% to 90% (Non-condensing)	10% to 80% (Non-condensing)	

Rental LED


Model		DS-D4226RI-CAF	DS-D4239RI-CAF	DS-D4426RI-CAF	DS-D4439RI-CAF
Image					
Module Composition	Pixel Structure	SMD Triad LED			
	Pixel Pitch (mm)	2.604 mm	3.906 mm	2.604 mm	3.906 mm
	Module Resolution (W × H)	96 × 96	64 × 64	96 × 96	64 × 64
	Module Dimensions (W × H)	250 × 250 mm			
	Unit Module Composition (W × H)	2 × 2			
Unit Composition	Unit Resolution (W × H)	192 × 192	128 × 128	192 × 192	128 × 128
	Unit Dimensions (W × H)	500 × 500 mm			
	Weight	7.7 kg (16.97 lbs)			
	Pixel Density	147,456 dots/m ²	65,536 dots/m ²	147,456 dots/m ²	65,536 dots/m ²
	Unit Ratio	1 : 1			
	Maintenance Mode	Front-maintenance			
Optical Parameters	Brightness (nits)	800 nits			
	Color Temperature	3,000 K to 10,000 K adjustable			
	Viewing Angle	Horizontal 160°, vertical 160°			
	Luminous Point Center Distance Deviation	< 3%			
	Brightness Uniformity	≥ 97%			
	Color Uniformity	≤ ± 0.003Cx, Cy			
	Max. Contrast	≥ 6,000 : 1			
Electrical Parameters	Peak Consumption (W/m ²)	550 W/m ²	460 W/m ²	550 W/m ²	460 W/m ²
	Average Consumption (W/m ²)	180 W/m ²	150 W/m ²	180 W/m ²	150 W/m ²
	Power Supply	110 to 220 VAC ± 15%			
Processing Performance	Drive Mode	Constant current driving			
	Frame Rate	60 Hz			
	Refresh Rate	Up to 3,840 Hz			
General	Service Life (H)	≥ 100,000 (H)			
	Temperature	-15 to 50 °C (5 °F to 122 °F)			
	Humidity (RH)	10% to 80% (non-condensing)			

Model		DS-D4239RO-CA	DS-D4248RO-CA	DS-D4439RO-CA	DS-D4448RO-CA
Image					
Module Composition	Pixel Structure	SMD Triad LED			
	Pixel Pitch (mm)	3.906 mm	4.8 mm	3.906 mm	4.8 mm
	Module Resolution (W × H)	64 × 64	52 × 52	64 × 64	52 × 52
	Module Dimensions (W × H)	250 × 250 mm			
	Unit Module Composition (W × H)	2 × 2			
Unit Composition	Unit Resolution (W × H)	128 × 128	104 × 104	128 × 128	104 × 104
	Unit Dimensions (W × H)	500 × 500 mm			
	Weight	8.5 Kg (18.74lbs)			
	Pixel Density	65,536 dots/m ²	42,364 dots/m ²	65,536 dots/m ²	42,364 dots/m ²
	Unit Ratio	1:1			
	Maintenance Mode	Front-maintenance			
Optical Parameters	Brightness (nits)	≥ 5,000 nits	≥ 4,500 nits	5,000 nits	4,500 nits
	Color Temperature	3,000 K to 10,000 K adjustable			
	Viewing Angle	Horizontal 160°, vertical 160°			
	Luminous Point Center Distance Deviation	< 3%			
	Brightness Uniformity	≥ 97%			
	Color Uniformity	≤ ± 0.003 Cx, Cy			
	Max. Contrast	≥ 6,000 : 1			
Electrical Parameters	Peak Consumption	680 W/m ²			
	Average Consumption	230 W/m ²			
	Power Supply	110 to 220 VAC ± 15%			
Processing Performance	Drive Mode	Constant current driving			
	Frame Rate	60 Hz			
	Refresh Rate	3,840 Hz			
General	Service Life (H)	> 100,000 (H)			
	Temperature	-15 to 50 °C (5 to 122 °F)			
	Humidity (RH)	10% to 85% (non-condensing)			

LED Controller

Model		DS-D42C08-H	DS-D42C16-H	DS-D42C04-N	DS-D42C06-N
Image					
Interface	Video & Audio Input	HDMI × 2, DP × 1, DVI × 1		DVI × 1, HDMI × 1, Audio × 1	DVI × 1, HDMI × 2, 3G-SDI × 2, DVI+DVI LOOP × 1, USB × 1
	Video & Audio Output	HDMI × 1		RJ45 × 4	RJ45 × 4, DVI × 1
	Network Interface	8	16	4	
	Control Interface	RJ45 × 1		USB × 1	
Processing Performance	Max. Load Capacity	5 MP	10 MP	2,048 × 1,152 @ 60 Hz or 1,920 × 1,200 @ 60 Hz	2,560 × 440 @ 60 Hz
	Frame Frequency	50/60 Hz			
	Refresh Rate	3,840 Hz			
	Processing Depth	8 bit			
	Grey Level	16 bit			
	Display Color	281 trillion			
	Brightness Control	1 to 10 levels adjustable (gradual white balance)		Automatic/manual	
Electrical Parameters	Average Consumption	13.3 W		16 W	65 W
	Input Voltage	100 to 240 VAC @50/60 Hz			
Operating Environment	Operating Temperature	0 to 40 °C (32 to 104 °F)		-10 to 45 °C (14 to 113 °F)	
	Operating Humidity	10% to 80%		10% to 90%	
	Storage Temperature	-10 to 60 °C (14 to 140 °F)		-20 to 60 °C (-4 to 140 °F)	
	Storage Humidity	10% to 80%		10% to 90%	
General	Product Dimensions (W × H × D)	442 × 249.5 × 57 mm (17.40 × 9.82 × 2.24 inch)		428 × 250 × 44.4 mm (16.85 × 9.84 × 1.75 inch)	483.6 × 250.1 × 45 mm (19.04 × 9.85 × 1.77 inch)




Multi-Function Card




Model		DS-D42AM2
Image		
Control Card Parameter	Sending Card Dimension (W × H × D)	200 × 42 × 126.7 mm (7.9 × 1.7 × 5.0 inch)
	Sending Card Weight	0.70 kg (1.5 lbs)
Electrical Parameter	Power Supply	12 VDC, 1A
	Peak Power	8 W
	Average Power	3 W
General	Operating Temperature	-10 to 40 °C (14 to 104 °F)
	Operating Humidity	10% to 90%
	Storage Temperature	-20 to 60 °C (-4 to 140 °F)
	Storage Humidity	10% to 90%
	Package Dimension (W × H × D)	317 × 82 × 242 mm (12.5 × 3.2 × 9.5 inch)
	Gross Weight	0.75 kg (1.7 lbs)
	Packing List	<ul style="list-style-type: none"> Multi-functional card × 1 Infrared remote control × 1 Power adapter × 1 Outer package × 1




Front Maintenance Tool

Model		DS-D42MF2B
Image		
Dimensions	350 × 220 × 230 mm (1.1 × 0.7 × 0.8 inch)	
Materials	N50 magnetic steel + ABS + Silica gel	
Color	Black	
Weight	2.9 kg (6.39 lbs)	
Generation	Second Generation	
Power	Lithium ion battery	
Battery Capacity	3,000 mAh	




Indoor Standard Bracket

Model		DS-DL116033W	DS-DL126033W	DS-DL226033W
Image				
Default Parameters	Color	Black		
	Material	AL6063		
	Surface Treatment	Electrostatic spraying		
General	Dimensions (W × H × D)	640 × 380 × 80 mm (25.22 × 14.97 × 3.15 inch)	1,240 × 380 × 80 mm (48.86 × 14.97 × 3.15 inch)	1,240 × 710 × 80 mm (48.85 × 27.97 × 3.15 inch)
	Gross Weight	4.1 ± 0.5 kg (9.05 ± 1.1 lbs)	6.9 ± 0.5 kg (15.23 ± 1.1 lbs)	9.9 ± 0.5 kg (21.85 ± 1.1 lbs)
	Net Weight	2.5 ± 0.5 kg (5.51 ± 1.1 lbs)	4.0 ± 0.5 kg (8.83 ± 1.1 lbs)	4.9 ± 0.5 kg (10.81 ± 1.1 lbs)




Model		DS-DL114854W	DS-DL124854W	DS-DL224854W
Image				
Default Parameters	Color	Black		
	Material	AL6063		
	Surface Treatment	Electrostatic spraying		
General	Dimensions (W × H × D)	520 × 580 × 80 mm (20.49 × 22.85 × 3.15 inch)	1,000 × 580 × 80 mm (39.40 × 22.85 × 3.15 inch)	1,000 × 1,120 × 80 mm (39.40 × 44.13 × 3.15 inch)
	Gross Weight	4.3 ± 0.5 kg (9.49 ± 1.1 lbs)	7.5 ± 0.5 kg (16.55 ± 1.1 lbs)	11.0 ± 0.5 kg (24.28 ± 1.1 lbs)
	Net Weight	2.7 ± 0.5 kg (5.96 ± 1.1 lbs)	4.0 ± 0.5 kg (8.83 ± 1.1 lbs)	5.3 ± 0.5 kg (11.70 ± 1.1 lbs)

Model		DS-DL116448W	DS-DL126448W	DS-DL226448W
Image				
Default Parameters	Color	Black		
	Material	AL6063		
	Surface Treatment	Electrostatic spraying		
General	Dimensions (W × H × D)	680 × 530 × 80 mm (26.77 × 20.87 × 3.15 inch)	1,320 × 530 × 80 mm (51.97 × 20.87 × 3.15 inch)	1,320 × 1,010 × 80 mm (51.97 × 39.76 × 3.15 inch)
	Gross Weight	4.5 ± 0.5 kg (9.9 ± 1.1 lbs)	8.3 ± 0.5 kg (18.26 ± 1.1 lbs)	11 ± 0.5 kg (24.2 ± 1.1 lbs)
	Net Weight	2.9 ± 0.5 kg (6.49 ± 1.1 lbs)	4.7 ± 0.5 kg (10.34 ± 1.1 lbs)	5.8 ± 0.5 kg (12.76 ± 1.1 lbs)

LED Poster Display

Model	DS-D4412MI-056	DS-D4414MI-067	DS-D4418MI-067
Image			
Pixel Configuration	SMD Triad LED		
Pixel Pitch Category	P1.2	P1.4	P1.8
Pixel Pitch	1.25 mm	1.499 mm	1.875 mm
Lamp Dimensions	1,010	1,212	1,515
Pixel Density	640,000 dots/m ²	444,444 dots/m ²	284,444 dots/m ²
Maintenance Method	Front-maintenance		
Cabinet Flatness	≤ 0.2		
Dimensions (W × H × D)	491 × 1,713 × 46.5 mm		
Screen Area (W × H)	480 × 1,350 mm	480 × 1,620 mm	
Screen Resolution (W × H)	384 × 1,080		256 × 864
Material	Aluminum alloy		
White Balance Brightness	≥ 500 nits		
Color Temperature	2,000 K to 10,000 K adjustable		
Viewing Angle	Horizontal 160°, vertical 160°		
Brightness Uniformity	≥ 97%		
Color Uniformity	± 0.003 Cx, Cy		
Contrast Ratio	5,000 : 1		
Driving Method	Constant current driving 54 scan		
Frame Frequency	30 to 60 Hz		50/60 Hz
Refresh Rate	≥ 3,840 Hz		
Grey Level	65,536		
Input Voltage	200 to 240 VAC, 50/60 Hz		
Max. Consumption	800 W		
Average Consumption	230 W		
Working Temperature	- 10 to 45 °C (14 to 113 °F)		
Working Humidity (RH)	10% to 80% (non-condensing)		
Gross Weight	30 Kg (66.14 lbs)		

LED Multimedia Display

Model	DS-D4412FI-108A	DS-D4415FI-130A	DS-D4418FI-173A
Image			
Pixel Configuration	SMD Triad LED		
Pixel Pitch Category	P1.2	P1.5	P1.8
Pixel Pitch	1.25 mm	1.5 mm	1.875 mm
Lamp Dimensions	SMD1010		SMD1515
Pixel Density	640,000 dots/m ²	444,444 dots/m ²	284,444 dots/m ²
Maintenance Method	Front-maintenance for lamp board, receiving card, and power supply, pluggable design for system card and controller.		
Dimensions (W × H × D)	2,400 × 1,350 × 36 mm (94.49 × 53.15 × 1.41 inch)	2,880 × 1,620 × 36 mm (113.39 × 63.78 × 1.41 inch)	3,840 × 2,160 × 36 mm (151.18 × 85.04 × 1.41 inch)
Screen Resolution	1,920 × 1,080		
White Balance Brightness	450 nits		
Viewing Angle	Horizontal 178°, vertical 178°		
Contrast Ratio	6,000 : 1		
Operation System	Android 6.0.1		
Processor	32 bit, up to 1.6 GHz, Cortex-A17 × 4		
Memory	2 GB		
Built-in Storage	8 GB + 128 GB (TF Card)		
Video & Audio Input	HDMI × 1, DP × 1		
Video & Audio Output	LINE OUT × 1, HDMI OUT × 1, 3D S-Connector × 1		
Frame Frequency	60 Hz/120 Hz		
Refresh Rate	2,580 Hz	3,840 Hz	
Grey Level	13 bit		
Max. Consumption	≤ 1,400 W	≤ 1,800 W	≤ 3,200 W
Average Consumption	≤ 466 W	≤ 600 W	≤ 1,066 W
Input Voltage	100 to 220 V		
Working Temperature	-10 to 40 °C (14 to 104 °F)		
Working Humidity (RH)	20% to 80% (non-condensing)		
Mounting Type	Wall-mounting and mobile-mounting		Wall-mounting
Packing List	Frame package × 1, cabinet unit package × 2, controller package × 1		

Hikvision Interactive Flat Panels

Advanced Industrial Design

★ ★ ★

Optical Bonding Screen

Writing without sense of extra space

★

Through Arc Pen Slot

Convenient and fashionable pen holder

Highlighted Ink Screen Logo

Delicate texture, business style

Matte Powder Coating

Matches the color of the whole device



★ ★ ★

Elegant Appearance

150 mesh ultra-fine sandblasting
(comparable to a laptop's texture)

★ ★

High Color Gamut

≥ 90% color gamut for outstanding
display effect

Newly Designed Pen

TPU nib material for fluent writing
and fall-protection.

Pick-up Detection

Show prompts when the pen is
picked up

★ ★

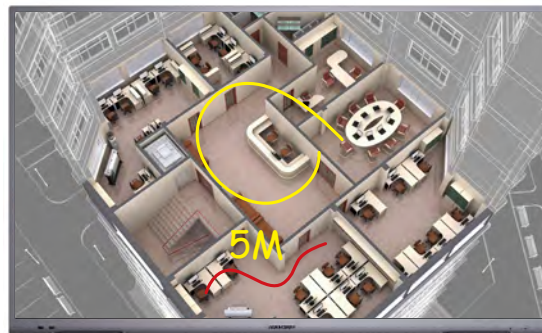
Bracket Upgrade

Beautiful and elegant, easy to install,
and cost-effective

Key Functions

► Built-in Whiteboard

- Max. 20-point IR touch supports multiple pens writing simultaneously
- Supports screenshots to save details
- Mohs level 7 hardness glass, scratch and fingerprint resistant



◀ Flexible Annotation

- Users can quickly start annotating at any interface with a single click
- Annotation supports color and thickness adjustment and stroke optimization.
- 1 mm writing accuracy

► Wireless Projection

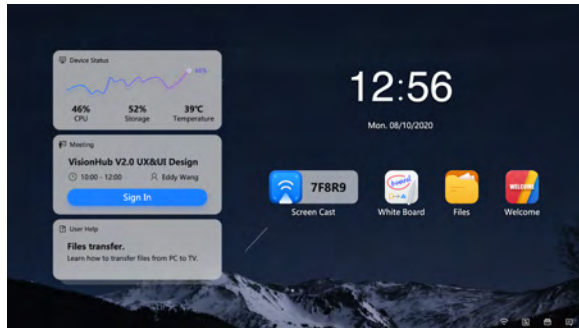
- Projection via Wi-Fi: Taking the Interactive Flat Panel as AP hotspot, or all devices connect to the same environment Wi-Fi
- Supports simultaneous split screen projection on up to 4 devices
- Supports both projection and reverse-projection (controlling laptops on the Interactive Flat Panel)



◀ Remote Video Conference

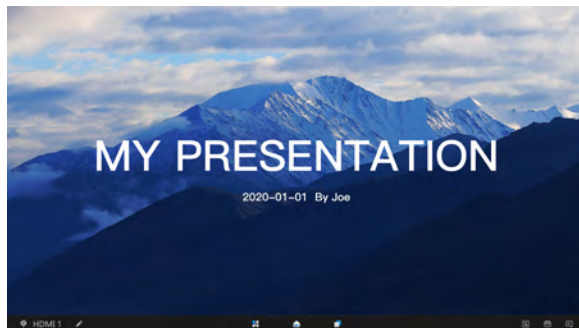
- Hold remote video conferences with another Interactive Flat Panel, or PC/mobile phones
- Abundant accessories available: USB camera (1080p or 4K), omnidirectional microphone, and OPS for Windows Operating System

UI 2.0



▲ Efficient Content Display

- Show widgets on negative screen
- Multi-screen sliding to show more apps



▲ Simple Console Bar

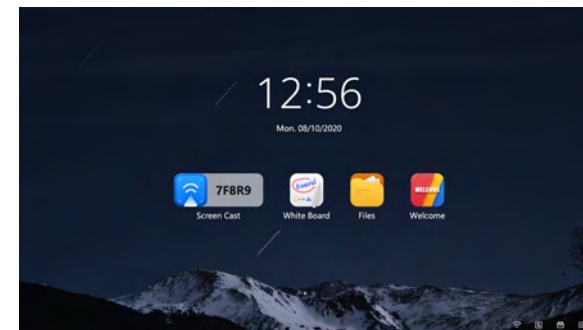
- Auto-adjust the content of the console bar according to different applications



▼ Easy 2-Step Projection

Step 1: Visit www.hikshare.com to download the HIK-share software/app

Step 2: Input projection code for wireless projection



▼ Pen Pick-up Detection

- The whiteboard/annotation function icon automatically pops up when pen is picked up
- Long press anywhere on the whiteboard interface to pop up a quick operation panel



Conference Flat Panel

Model		DS-D5B55RB/A	DS-D5B65RB/A	DS-D5B75RB/A	DS-D5B86RB/A
Image					
Display	Diagonal Size	55"	65"	75"	86"
	Backlight	DLED			
	Panel	LCD			
	Resolution	3,840 × 2,160 @ 60 Hz			
	Color	10 bit			
	Visual Angle	Horizontal 178°, vertical 178°			
	Response Time	6 ms			
	Contrast	4,500 : 1	1,200 : 1		
	Brightness	350 nits			
	Screen Type	Optical Bonding			
	Dot Pitch (H × V)	0.105 × 0.315 mm	0.124 × 0.372 mm	0.143 × 0.430 mm	0.164 × 0.493 mm
Interface	Input Interface	HDMI In × 2, Max 4K @ 60 Hz, Line In × 1			
	Output Interface	HDMI Out × 1, Max 4K @ 60 Hz, Line Out × 1			
	Control Interface	RJ45 (100 Mbps ports) × 2, RS-232 × 1			
Built-in System	Operation System	Android 8.0			
Power	Power Consumption	< 200 W	< 250 W	< 300 W	< 420 W
	Power Requirement	100 to 240 VAC, 50/60 Hz			
Operation Environment	Operating Temperature	0 to 40 °C (32 to 104 °F)			
	Operating Humidity	10% to 90% RH			
	Dimensions (W × H × D)	1,266 × 764 × 57 mm	1,507 × 905 × 86 mm	1,718 × 1,021 × 87.5 mm	1,963 × 1,159 × 87.5 mm
Built-in Camera	Resolution	No			
	FoV				
	Distortion				
Built-in Microphone	Pickup Distance	No			
	Sampling Rate				
	Functions				

Model		DS-D5B55RB/B	DS-D5B65RB/B	DS-D5B75RB/B	DS-D5B86RB/B
Image					
Display	Diagonal Size	55"	65"	75"	86"
	Backlight	DLED			
	Panel	LCD			
	Resolution	3,840 × 2,160 @ 60 Hz			
	Color	10 bit			
	Visual Angle	Horizontal 178°, vertical 178°			
	Response Time	6 ms			
	Contrast	4,500 : 1	1,200 : 1		
	Brightness	350 nits			
	Screen Type	Optical Bonding			
	Dot Pitch (H × V)	0.105 × 0.315 mm	0.124 × 0.372 mm	0.143 × 0.430 mm	0.164 × 0.493 mm
Interface	Input Interface	HDMI In × 2, Max 4K @ 60 Hz, Line In × 1			
	Output Interface	HDMI Out × 1, Max 4K @ 60 Hz, Line Out × 1			
	Control Interface	RJ45 (100 Mbps ports) × 2, RS-232 × 1			
Built-in System	Operation System	Android 8.0			
Power	Power Consumption	< 200 W	< 250 W	< 300 W	< 420 W
	Power Requirement	100 to 240 VAC, 50/60 Hz			
Operation Environment	Operating Temperature	0 to 40 °C (32 to 104 °F)			
	Operating Humidity	10% to 90% RH			
	Dimensions (W × H × D)	1,266 × 789 × 83 mm	1,507 × 930 × 86 mm	1,718 × 1,046 × 87.5 mm	1,963 × 1,184 × 87.5 mm
Built-in Camera	Resolution	8 M			
	FoV	Diagonal 100°, horizontal 90°, vertical 66°			
	Distortion	≤1%			
Built-in Microphone	Pickup Distance	8 m			
	Sampling Rate	32 K			
	Functions	Echo cancellation, smart noise reduction			

Education Flat Panel

Model		DS-D5165TS/P	DS-D5175TS/P	DS-D5186TS/P
Image				
Display	Diagonal Size	64.5"	74.6"	85.6"
	Backlight	LED		
	Panel	LCD		
	Resolution	3,840 × 2,160		
	Response Time	3 ms	6.5 ms	
	Contrast	6,000 : 1		
	Brightness	500 nits		
	Dot Pitch (H × V)	0.372 × 0.372 mm	0.42975 × 0.42975 mm	0.4935 × 0.4935 mm
Interface	Input Interface	TV × 1, HDMI × 2, VGA × 1, YPbPr × 1, AV-In × 1, Line In × 2		
	Output Interface	Line Out × 1, SPDIF-Out × 1		
	Network Interface	LAN × 2		
Power	Power Consumption	< 250 W	< 240 W	
	Power Requirement	AC 100 V to 240 V, 50/60 Hz		
Operating Environment	Operating Temperature	0 to 40 °C [32 to 104 °F]		
	Operating Humidity	10% to 80% RH		
	Dimension (W × H × D)	1,696 × 243 × 1,070 mm	1,927 × 254 × 1,211 mm	2,187 × 274 × 1,365 mm

OPS

OPS

Model		DS-D5A55/8S1L	DS-D5A55/8S2L	DS-D51S5/8S
Image				
Operation System		Without Windows OS	Built-in Windows 10	
CPU	Processor	Intel® Core™ i5 7400	Intel® Core™ i5 9400	Intel Core i5 6400
	Dominant Frequency	3.0 GHz		2.7 GHz
	Socket Platform	Intel® socket 1151: Skylake	Support intel® socket 1151: Skylake	Intel® socket 1151: Skylake
	Chipset	Intel H110 Express	Intel H310 Express	Intel H110 Express
Motherboard	Memory	8 GB		
	SSD	128 GB	256 GB	128 GB
	Audio Card	High Definition Audio Stereo		
	Network	Integrated 10/100/1,000 Mbps Adaption		Integrated 10/100/1,000 Mbps Adaption × 1
	Graphics Card	Integrated Graphics Card		Integrated Graphics
	WIFI	IEEE 802.11 ac		
	Bluetooth	Bluetooth 4.0		
Interface	Video Output	HDMI interface × 1, DP interface × 1		HDMI × 1, DP × 1
	Network Interface	Gigabit Ethernet interface × 1, RJ45		
	Antenna	2		
	USB	USB 3.0 × 6		USB 3.0 × 3 , USB 2.0 × 3
Power Supply		12 VDC to 19 VDC. ≥ 10 A		12 to 19 VDC
Power Consumption		Max. 95 W, 0.5 W (Standby)		
Weight		1.24 kg (2.73 lbs)	1.5 kg (3.3 lbs)	1.24 kg
Operating Temperature		0 to 40 °C (32 to 104 °F)	-5 to 45 °C (23 to 113 °F)	0 to 40°C (32 to 104 °F)
Operating Humidity		10% to 95%		10% to 90%
Dimensions (W × D × H)		180 × 194 × 30 mm	195 × 30 × 180 mm	180 × 194 × 42 mm

Wireless Microphones

Model		DS-65VA300L	DS-D5AOW
Image			
Interface	USB and audio Interface	USB supply (DC 5 V/500 mA)	1 (Audio In/Out + Charge 5 V/2 A), 1 (Audio In/Out)
	Button	7 to 10 h	6 h
	Indicator	Power/Volume/Button	
	Version	3 rd AUCTIONUS audio processing tech	BT4.2 + EDR
	Operating Frequency	2.4 GHz	
	Operating Distance	20 m	10 m
	USB Dongle	Supports audio input and output, Compatible with Windows, MacOS system	
Power	Battery Capacity	1,800 mAh	7.4 V/2,200 mAh
	Battery Charging	USB supply (DC 5 V/500 mA), Built-in lithium battery	Wired: 5 V/2 A, Wireless: 5 W (optional)
	Continuous Operating Time	7 to 10 h (Sustainable use)	8 h (Voice communication with the maximum volume)
Pickup	Microphone Type	6-Element array, omnidirectional	
	Pickup Distance	3 m (Radius)	5 m (Radius)
	Frequency Range	0 Hz to 8,000 Hz	150 Hz to 7,500 Hz
General	Operating Temperature	5 to 44 °C (41 to 111 °F)	0 to 40 °C (32 to 104 °F)
	Operating Humidity	20% to 85% condensation free	10% to 90% RH
	Dimensions (W × D × H)	155 × 148 × 37 mm	120 × 120 × 36.5 mm
	Dimensions (package) (L × W × H)	275 × 233 × 83 mm	225 × 158 × 50 mm
	Net Weight	342 g (0.75 lbs)	390 g (0.86 lbs)
	Gross Weight	975.2 g (2.11 lbs)	692 g (1.53 lbs)
	Storage Temperature	-10 to 55 °C (14 to 131 °F)	-20 to 60 °C (-4 to 140 °F)
	Storage Humidity	5% to 95% RH	10% to 90% RH
Altitude	Below 5,000 meters		
Speaker	Reverberation Time	<0.5 seconds	
	Loudspeaker	3.94-inch anti-magnetic speaker	85 dB SPL @ 0.5m, 1 kHz
	Noise Level	<48 dB	≥75 dB
	Frequency Range	100 Hz to 8,000 Hz	150 Hz to 16 kHz

Bracket

Bracket

Model		DS-D5ABKY2-S	DS-D5ABKY2-B
Image			
Default Parameters	Color	Silver gray	
	Material	SPCC high quality steel plate	
	Surface Treatment	Sheet metal spraying	
General	Net Weight	20 kg	27.3 kg
	Gross Weight	22.5 kg	31 kg
	Available Size	55"/65"/75"	86"
Bracket	Capacity	85 kg	135 kg
	Shelf Size	1,160 × 688 × 1,560 mm	1,610 × 749 × 1,710 mm
	Package Size	1,520 × 760 × 140 mm	1,720 × 820 × 160 mm

Hikvision LCD Ultra-Narrow Bezel

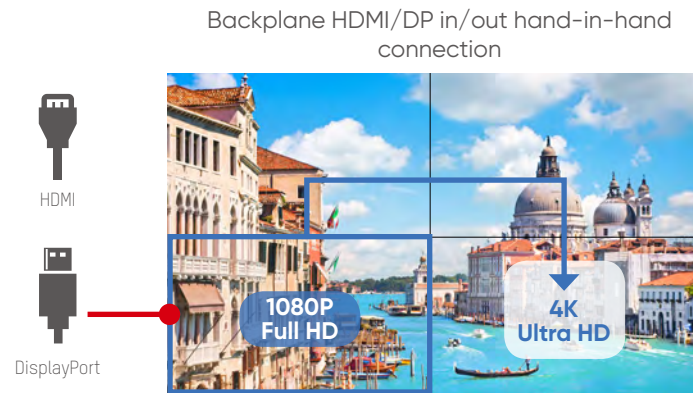
Ultra-Narrow Bezel-to-Bezel Width – 0.88 mm

The LCD screen produces a near-seamless picture across multiple screens without interruption. Additionally, the LCD screen helps to eliminate any potential image distortion and provides a more immersive viewing experience.



Key Features

Self-splicing up to **30** screens



3 Display Modes



Monitoring
Enhanced image restoration,
frame rate and gray scale



Movie
Improved color saturation,
image contrast



Presentation
Better display consistency, text
clarity, text edge smoothness

Precise Color Calibration



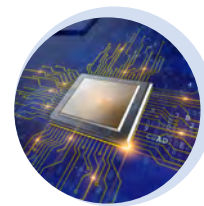
Test pictures are taken with industrial cameras before the LCD leaves the factory



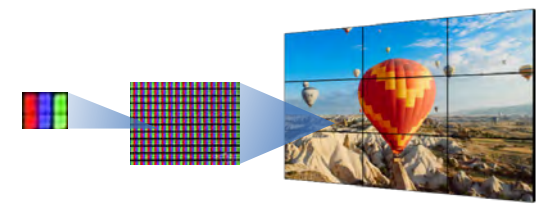
A **unique image analysis system** analyzes each pixel of the picture



The picture gets compared with standard display data **to generate a unique calibration algorithm**



The calibration algorithm is embedded into the LCD's image processing chip







After each pixel of the LCD has been calibrated point by point, the image has **consistent color and brightness.**

LCD Video Wall











Model		DS-D2046LU-Y	DS-D2049LU-Y	DS-D2055LU-Y	DS-D2055HU-Y
Image					
Display	Diagonal Size	46"	49"	55"	
	Backlight	LED Backlight (Direct type)			
	Panel	IPS			
	Resolution	1,920 × 1,080			
	Color	16.7 M			
	Visual Angle	Horizontal: 178°, Vertical: 178°			
	Response Time	8 ms (G to G)			
	Contrast	1,200 : 1			
	Brightness	500 nits	700 nits	500 nits	700 nits
	Dot Pitch (H × V)	0.53 × 0.53 mm (0.021 × 0.021 inch)	0.56 × 0.56 mm (0.022 × 0.022 inch)	0.63 × 0.63 mm (0.025 × 0.025 inch)	
	Color Saturation	72%			
	Screen Moving Area (H × V)	1,018.08 × 572.67 mm (40.08 × 22.55 inch)	1,074.24 × 604.26 mm (42.29 × 23.78 inch)	1,209.63 × 680.34 mm (47.62 × 26.78 inch)	1,209.63 × 680.34 mm (47.62 × 26.78 inch)
Side Frame Size	Physical Seam	3.5 mm (0.14 inch)			
Interface	Input Interface	VGA × 1, HDMI × 1, DVI × 1, DP × 1, USB × 1			
	Output Interface	HDMI × 1			
	Control Interface	RS232 In × 1, RS232 Out × 1			
Power	Power Consumption	111 W	134 W	187 W	235 W
	Power Requirements	100 to 240 VAC, 50 or 60 Hz			
Operating Environment	Operating Temperature	0 to 40 °C (32 to 104 °F)			
	Operating Humidity	10% to 80% (No Condensation)			
	Operating Life	≥ 60,000 Hours			
Physical Features	Dimensions (W × H × D)	1,021.98 × 576.57 × 72.25 mm (40.24 × 22.7 × 2.84 inch)	1,078.34 × 608.36 × 72.8 mm (42.45 × 23.95 × 2.87 inch)	1,213.5 × 684.3 × 71.74 mm (47.78 × 26.94 × 2.82 inch)	1,213.5 × 684.3 × 71.74 mm (47.78 × 26.94 × 2.82 inch)
	Frame Width	2.3 mm (top/left), 1.2 mm (bottom/right)			

Model		DS-D2055LE-G	DS-D2055HE-G	DS-D2055LR-G	DS-D2055HR-G	
Image						
Display	Diagonal Size	55"				
	Backlight	LED Backlight (Direct type)				
	Panel	IPS				
	Resolution	1,920 × 1,080				
	Color	1.07 Billion				
	Visual Angle	Horizontal: 178°, Vertical: 178°				
	Response Time	8 ms (G to G)				
	Contrast	1,400 : 1		1,200 : 1		1,100 : 1
	Brightness	500 nits	700 nits	500 nits	700 nits	
	Dot Pitch (H × V)	0.63 × 0.63 mm (0.025 × 0.025 inch)				
	Color Saturation	72%				
	Screen Moving Area (H × V)	1,209.63 × 680.34 mm (47.62 × 26.78 inch)				
Side Frame Size	Physical Seam	1.8 mm (0.07 inch)		0.88 mm (0.034 inch)		
Interface	Input Interface	VGA × 1, HDMI × 1, DVI × 1, DP × 1, USB × 1				
	Output Interface	HDMI × 1				
	Control Interface	RS232 In × 1, RS232 Out × 1				
Power	Power Consumption	192 W	230 W	192 W	230 W	
	Power Requirements	100 to 240 VAC, 50 or 60 Hz				
Operating Environment	Operating Temperature	0 to 40 °C (32 to 104 °F)				
	Operating Humidity	10% to 90% (No Condensation)				
	Operating Life	≥ 60,000 Hours				
Physical Features	Dimensions (W × H × D)	1,211.54 × 682.34 × 68.9 mm (47.7 × 26.86 × 2.71 inch)		1,210.81 × 681.76 × 68.9 (47.67 × 26.84 × 2.71 inch)		
	Frame Width	0.9 mm (top/left) 0.9 mm (bottom/right)		0.44 mm (top/left) 0.44 mm (bottom/right)		

LCD Wall-Mounted Brackets

Model	DS-DN4655W/U	DS-DN4601W	DS-DN4901W	DS-DN5501W
Image				
Color	Hikvision Black			
Material	Cold-rolled Steel Plate (SPCC)			
Dimensions (W × H × D)	762 × 473 × 85 mm (Single Bracket)	736 × 576.5 × (65 to 239) mm	736 × 607.5 × (65 to 239) mm	736 × 684.5 × (65 to 239) mm
Weight	3.8 kg (8.38 lbs) (Single Bracket)	7.5 kg (16.53 lbs)	7.5 kg (16.53 lbs)	8 kg (17.64 lbs)

LCD Modular Brackets

Model	DS-DN46C2M/F	DS-DN46C2M/B	DS-DN49B4M/F	DS-DN49B4M/B	DS-DN55E4M/F	DS-DN55E4M/B	DS-DN55F3M/F	DS-DN55F3M/B	DS-DN55B3M/F	DS-DN55B3M/B
Image										
Appearance	Hikvision Black									
Material	Cold-rolled Steel Plate (SPCC)									
Dimensions (W × H × D)	796 × 577 × 200 mm	1,022 × 800 × 830 mm (main body 330 mm)	798 × 608 × 200 mm	1,077.5 × 800 × 830 mm (main body 330 mm)	846.5 × 682.5 × 200 mm	1,212 × 800 × 830 mm (main body 330 mm)	846.5 × 682 × 200 mm	1,211 × 800 × 830 mm (47.68 × 31.5 × 32.68 inch)	848 × 682.5 × 200 mm	1,213.5 × 800 × 834 mm (main body 334 mm)
Weight	22 kg (48.50 lbs)	65 kg (134.3 lbs)	30 kg (66.14 lbs)	70 kg (154.32 lbs)	35 kg (77.16 lbs)	75 kg (165.35 lbs)	23.8 ± 0.5 kg (52.47 ± 1.1 lbs)	69.8 ± 0.5 kg (153.88 ± 1.1 lbs)	20.8 ± 0.5 kg (45.86 ± 1.1 lbs)	75 kg (165.35 lbs)

Hikvision Digital Signage

Three Solutions



Advertising

Design and display creative advertisements



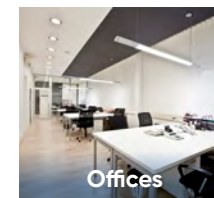
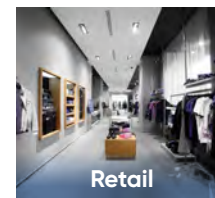
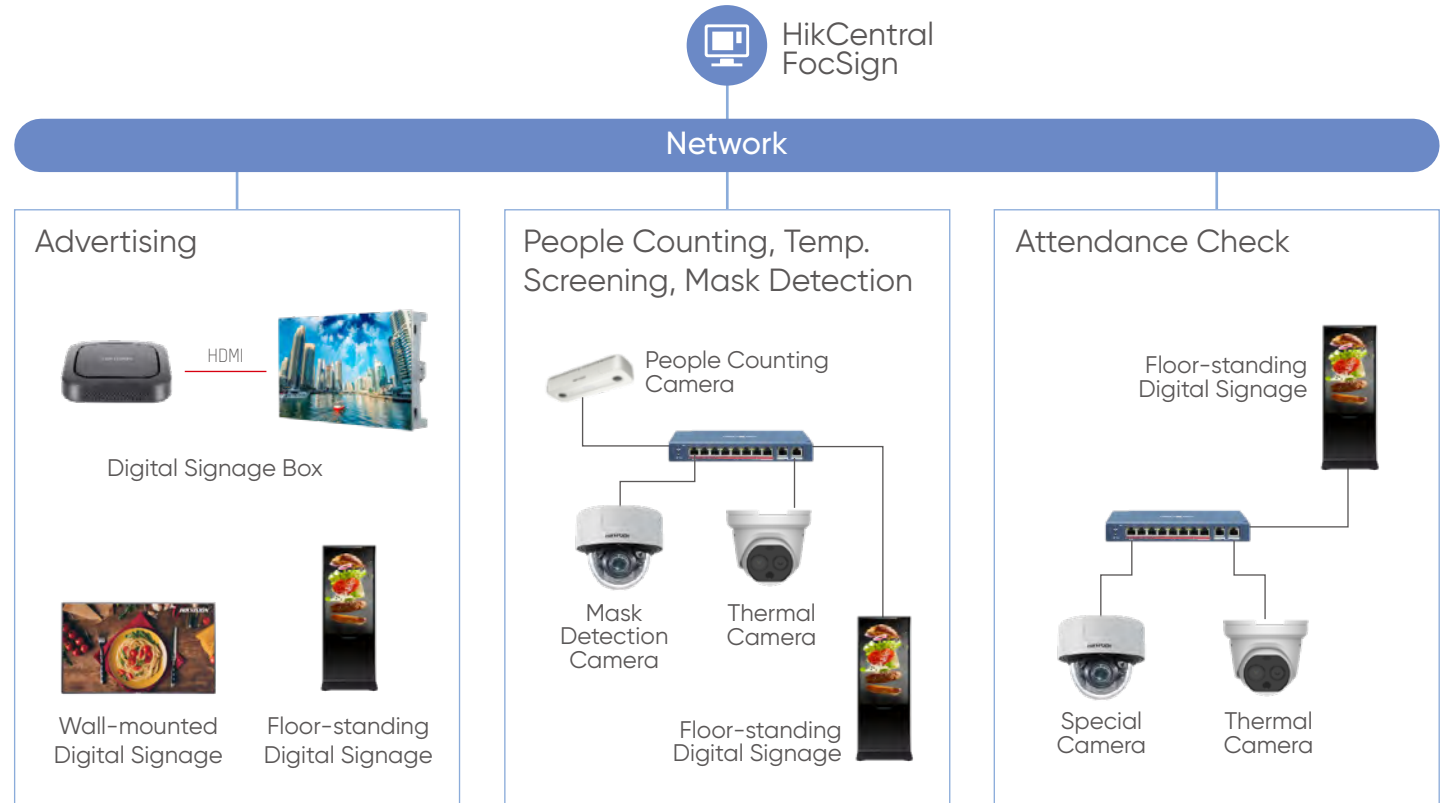
People Counting, Temp. Screening, & Mask Detection

Count customer flow, screen skin temperatures and mask status to protect public health



Attendance Checking

Check attendance and detect skin temperature at the same time



HikCentral FocSign Highlights

The HikCentral FocSign platform remotely manages digital signage devices (up to 1,024), edits programs, configures schedules, and releases content to the terminals.

B/S structure

Free for 30 channels

Supports 29 languages

Supports ISUP

Key Functions & Features

Diversified Content Creation

- Multiple Media Types: Supports 13 media types, including video, picture, audio, webpages, etc., helping to build more attractive programs
- Various Programs: Supports advertising, temperature screening, flow control, employee attendance, and more

Remote Management to Save Costs



- Centralized Management: Supports centralized program release, cut-in messages, and remote viewing to check run status
- Remote Device Control: Supports remote control of terminals to power on or off, adjust volume and brightness, play or pause, and configure parameters, reducing on-site visits and costs

Ready-to-Go Visualized Design Templates

- 8 Types of Program Templates: Saving time and design costs
- Visualized Designing Process: Anyone can easily create a program without professional training



Digital Signage Terminal

Model		DS-D6022FN-B	DS-D6032FN-B
Image			
Display	Screen Size	21.5"	31.5"
	Active Zone (H × V)	268.11 × 476.64 mm	698.4 × 392.85 mm
	Backlight	ELED	ELED backlight
	Pixel Pitch	0.24795 × 0.24795 mm	0.36375 × 0.36375 mm
	Resolution	1,920 × 1,080 @ 60 Hz	
	Brightness	250 nits	380 nits
	Visual Angle	Horizontal: 178°, Vertical: 178°	
	Color Depth	8 bit	
	Contrast	1,000 : 1	1,200 : 1
	Response Time	14 ms	8 ms
	Refresh Rate	60 Hz	
	Color Gamut	72% NTSC	68% NTSC
Built-in System	CPU	Cortex-A17, 4-core, main frequency 1.8 GHz	Cortex-A17, 4-core, 1.8 GHz
	Memory	2 GB	
	Operation System	Android 6.0.1	Android 8.1
	SD Card	8 GB EMMC, 32 GB TF	
Interface	Video & Audio Inputs	No	AUDIO IN × 1, HDMI × 2, VGA × 1
	Video & Audio Outputs	Audio In × 1, Audio Out × 2	AUDIO × 1, Built-in loudspeakers × 2
	Network Interface	LAN × 1, Wi-Fi	
	Data Transmission Interface	USB 2.0 × 2, TF Card × 1	USB × 2, TF Card × 1
General	Power	100 to 240 VAC, 50/60 ± 3 Hz	100 to 240 VAC, 50 or 60 Hz
	Power Consumption	≤ 40 W	≤ 75 W
	Standby Consumption	≤ 10 W	
	Operating Temperature	0 to 40 °C (32 to 104 °F)	
	Operating Humidity	20% to 90%	10% to 80%
	Product Dimensions (W × H × D)	593 × 434 × 157 mm	723.24 × 423.25 × 61.5 mm
	Package Dimensions	516.75 × 320.03 × 53.55 mm	898 × 152 × 544 mm
Weight	Net weight: 3.03 kg (6.68 lbs) Gross weight: 4.63 kg (10.21 lbs)	Net weight: 5.90 kg (13.01 lbs) Gross weight: 8.60 kg (18.96 lbs)	

Model		DS-D6043UN-B	DS-D6055UN-B
Image			
Display	Screen Size	42.5"	54.64"
	Active Zone (H × V)	940.896 × 529.254 mm	1,209.6 × 680.4 mm
	Backlight	LED backlight	
	Pixel Pitch	0.490 × 0.490 mm	0.315 × 0.315 mm
	Resolution	3,840 × 2,160 @60 Hz	
	Brightness	500 nits	
	Visual Angle	Horizontal 178°, vertical 178°	
	Color Depth	8 bit	10 bit
	Contrast	3,000 : 1	1,200 : 1
	Response Time	8 ms	
	Refresh Rate	60 Hz	
	Color Gamut	72% NTSC	
Built-in System	CPU	Cortex-A17, 4-core, 1.6 GHz	
	Memory	2 GB	
	Operation System	Android 8.1	
	SD Card	-	
Interface	Video & Audio Inputs	AUDIO IN × 1, HDMI × 2, VGA × 1	
	Video & Audio Outputs	AUDIO OUT × 1	AUDIO × 1
	Network Interface	LAN × 1, Wi-Fi × 1, BT × 1	
	Data Transmission Interface	USB 2.0 × 2, TF Card × 1	
General	Power	100 to 240 VAC, 50 or 60 Hz	
	Power Consumption	≤ 120 W	≤ 200 W
	Standby Consumption	≤ 0.5 W	
	Operating Temperature	0 to 40 °C (32 to 104 °F)	
	Operating Humidity	10% to 80%	
	Product Dimensions	967.18 × 555.42 × 77.44 mm	1,237.2 × 708 × 83.44 mm
	Packing Dimensions	1,172 × 725 × 212 mm	1,403 × 898 × 263 mm
Weight	Net weight: 11.16 kg Gross weight: 15.13 kg	Net weight: 19.2 kg Gross weight: 24.53 kg	

Model		DS-D6043FL-B/S	DS-D6055FL-B/S	DS-D60C-B
Image				
Display	Screen Size	42.5"	54.5"	-
	Active Zone (H x V)	529.25 x 940.90 mm	1,209.6 x 680.4 mm	-
	Backlight	LED backlight		-
	Pixel Pitch	0.163 x 0.490 mm	0.21 x 0.63 mm	-
	Resolution	1,920x1,080 @60 Hz		1920 x 1080p @ 30 Hz, 1920 x 1080p @ 50 Hz, 1920 x 1080p @ 60 Hz, 1280 x 720p @ 30 Hz, 1280 x 720p @ 50 Hz, 1280 x 720p @ 60 Hz, 3840 x 2160p @ 30 Hz, 3840 x 2160p @ 50 Hz, 3840 x 2160p @ 50 Hz (YCbCr420), 3840 x 2160p @ 60 Hz, 3840 x 2160p @ 50 Hz (YCbCr420)
	Brightness	500 nits		-
	Visual Angle	Horizontal 178°, vertical 178°		-
	Color Depth	8 bit		-
	Contrast	1,200 : 1	3,500 : 1	-
	Response Time	8 ms	6.5 ms	-
	Refresh Rate	60 Hz		-
Color Gamut	72% NTSC		-	
Built-in System	CPU	Cortex-A17, 4-core, 1.8 GHz		Cortex-A17, 4-core
	Memory	2 GB		2 GB
	Operation System	Android 6.0.1		Android 6.0.1
	SD Card	8 GB EMMC, TF 32 GB, Max. 128 GB	8 GB EMMC, 32 GB TF Card	8 GB EMMC, 32 GB TF Card
Interface	Video & Audio Inputs	No		
	Video & Audio Outputs	AUDIO x 1, Built-in loudspeakers x 2		Audio x 1, HDMI x 1
	Network Interface	LAN x 1, Wi-Fi		LAN x 1
	Data Transmission Interface	USB x 2, TF Card x1		USB x 2
General	Power	100 to 240 VAC, 50 or 60 Hz		12 VAC, 2 A
	Power Consumption	≤ 150 W		≤ 20 W
	Standby Consumption	≤ 10 W		≤ 1 W
	Operating Temperature	0 to 40 °C (32 to 104 °F)		0 to 50 °C (32 to 122 °F)
	Operating Humidity	10% to 90%	0% to 90%	10% to 90%
	Product Dimensions	589.74 x 1,717 x 55 mm	740.78 x 1,878.2 x 55 mm	145 x 145 x 31.89 mm
	Packing Dimensions	765 x 1,935 x 303 mm	91 x 2,100 x 303 mm	188 x 176 x 101 mm
Weight	Net weight: 48.46 Kg (106.84 lbs) Gross weight: 63.46 Kg (139.91 lbs)	Net weight: 66.190 Kg (145.92 lbs) Gross weight: 81.190 Kg (178.99 lbs)	Net weight: 0.6 kg (1.3 lbs) Gross weight: 0.65 kg (1.4 lbs)	

Headquarters

No.555 Qianmo Road, Binjiang District,
Hangzhou 310051, China
T +86-571-8807-5998
Business: overseasbusiness@hikvision.com
Technical Support: support@hikvision.com

Hikvision Australia
T +61-2-8599-4233
salesau@hikvision.com

Hikvision Azerbaijan
T +994 50 369 81 57
Azerbaijan.CATC@hikvision.com

Hikvision Brazil
T +55-11-3318-0050
Latam.support@hikvision.com

Hikvision Canada
T +1-866-200-6690
sales.canada@hikvision.com

Hikvision Colombia
sales.colombia@hikvision.com

Hikvision Czech
T +420 29 6182640
info.cz@hikvision.com

Hikvision Egypt
T +20223066117
sales.eg@hikvision.com

Hikvision Europe
T +31 23 5542770
sales.eu@hikvision.com

Hikvision France
T +33(0)1 85 330 450
info.fr@hikvision.com

Hikvision Germany
sales.dach@hikvision.com

Hikvision Hong Kong , China
sales.hk@hikvision.com

Hikvision Hungary KFT
info.hu@hikvision.com

Hikvision India
T +91-22-6855 9944
sales@pramahikvision.com

Hikvision Indonesia
T +6221 2933 9366
Sales.Indonesia@hikvision.com

Hikvision Israel
T +972 79 5555590
sales.israel@hikvision.com

Hikvision Italy
T +39 0438 6902
info.it@hikvision.com

Hikvision Kazakhstan
T +7 (727) 291-75-88
support@hikvision.kz

Hikvision Kenya
wangchengbin@hikvision.com

Hikvision Korea
T +82-1661-8138
sales.korea@hikvision.com

Hikvision Malaysia
T +60327224000
sales.my@hikvision.com

Hikvision Mexico
T +52 55 2624 0110
sales.mexico@hikvision.com

Hikvision New Zealand
T 09 217 3127
salesnz@hikvision.com

Hikvision New Panama
Sales.centralamerica
@hikvision.com

Hikvision Pakistan
T +92-2135147526
support.pk@hikvision.com

Hikvision Philippines
support.ph@hikvision.com

Hikvision Poland
T +48 22 460 01 50
info.pl@hikvision.com

Hikvision Russia
T +7-495-669-67-99
saleru@hikvision.com

Hikvision Romania
marketing.ro@hikvision.com

Hikvision Singapore
T +65 6684 4718
sg@hikvision.com

Hikvision South Africa
T +27 877018113
sale.africa@hikvision.com

Hikvision Spain
T +34 91 737 16 55
info.es@hikvision.com

Hikvision Tashkent
T +99-87-1238-9438
uzb@hikvision.ru

Hikvision Thailand
sales.thailand@hikvision.com

Hikvision Turkey
T +90 216 521 70 70
support.tr@hikvision.com

Hikvision UAE
T +971-4-4432090
salesme@hikvision.com

Hikvision UK & Ireland
T +44(0)1628 902 140
info.uk@hikvision.com

Hikvision Uzbekistan
T +998-71-233-55-50
uzbekistan@hikvision.com

Hikvision USA
T +1-909-895-0400
sales.usa@hikvision.com

Hikvision Vietnam
T +84 24 7300 7586
sale.vn@hikvision.com

Follow us on social media to get the latest product and solution information



Hikvision



HikvisionHQ



HikvisionHQ



Hikvision_Global



hikvisionhq



Hikvision Corporate Channel

HIKVISION®

Hikvision Commercial Displays

Product Quick Guide



Follow us on social media to get the latest product and solution information



HikvisionHQ



Hikvision



hikvisionhq



HikvisionHQ



Hikvision_Global



Hikvision Corporate Channel



www.hikvision.com